

Ethernet TCP/IP, UDP/IP and Modbus/TCP.



**57 mm high digits.
Industrial environment
Readable from up to 30m
4 displaying sides.
360° displaying.**

Application field

Production counting and display. PC data from Scada software.
Any variable from a PC or PLC.

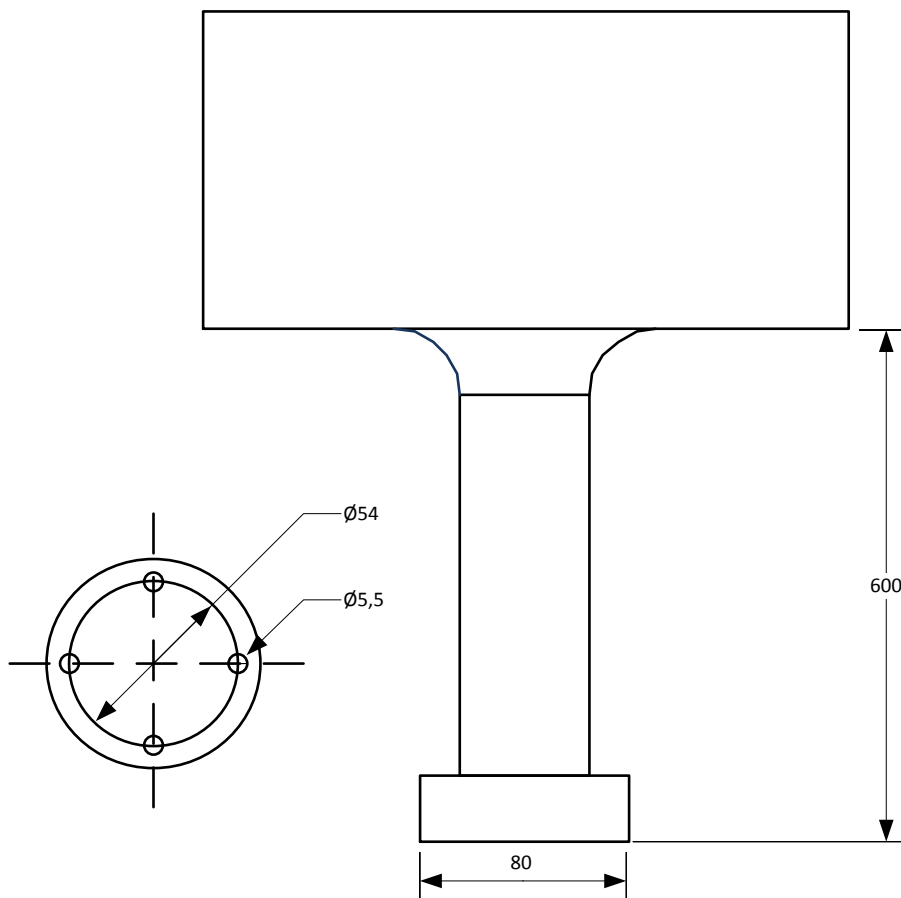
Display configuration

The displays includes two push buttons to configure the protocol, the transmission characteristics and read the MAC code.

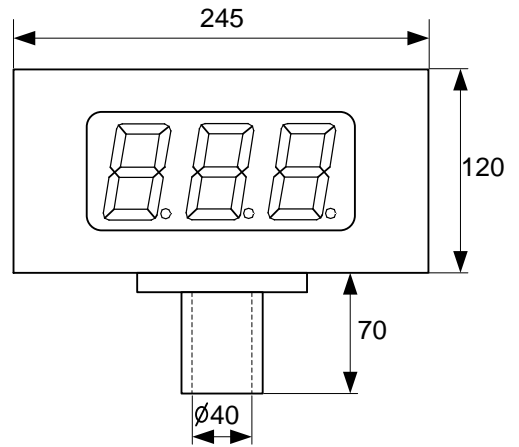
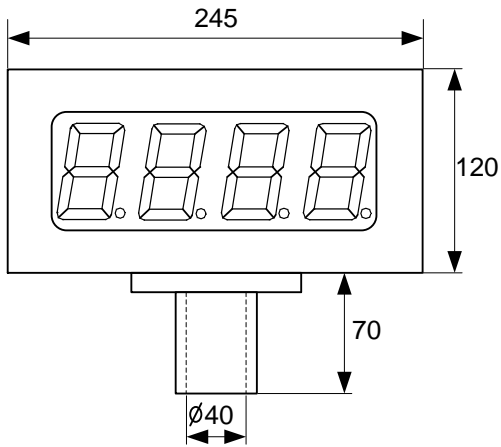
General specifications

Numeric display Height	57mm
Visibility	30 meters
Valid characters	0 a 9, A,b,C,c,d,E,F,H,h,i,J,L,n,o,P,r,U,u [espace],=, [point],uppers., unders.
Maximum environmental illumination	1000 lux
Supply voltage	100VAC to 240VAC 50/60Hz. Option 24VCC
Display sides	Four
Housing	Rugged aluminum extrusion
Mounting	Fixation on flat surface
Protocols	TCP/IP, UDP/IP and Modbus/TCP
Operating temperature	-20° to 60°C
Storage temperature	-30° to 70°C
Protection level	IP41

Fixation



Dimensions



Reference composition

