

# Thermometer: Pt100, Thermocouple J, K and T.



**57 mm high digits. Industrial environment  
Readable from up to 25m  
1 o 2 displaying sides.**

## Application field

They are most often used to show temperature using Pt100 or thermocouple J, K or T probe. The displayed value may be in Centigrade or Fahrenheit degrees with resolution of 1 degree or 0,1 degree. It is also possible to modify the displayed value with the Offset parameter.

All equipment is factory completely calibrated with data stored in non erasable memory without use of adjustment potentiometers

## Colour option

Available for models DN-109 and DN-119. It lets you to choose the display colour depending on the input value. The valid colours are: Red, green and yellow.



## Serial line option

The serial line option (RS-232C/RS-485) lets you to program or to read actual display value. The available parameters are: Baud rate, Parity, Data bits, Stop bits and Display address.

## Dual relay output option

Two programmable relay output are available. Selectable HI or LO . Delay time or hysteresis adjustable.

## Option to display the measures units

The measure units can be permanently displayed: °C or °F.

## General specifications

Power supply	88 to 264 VAC 47 to 63Hz. Option 24VCC
Case material	Aluminum extruded
Mounting	Wall or suspension
Display	Color red or red/green/yellow
Frontal	Methacrylate
Back	PVC
Operating temperature	-20° to 60°C
Protection level	IP41 (option IP65)

## Analog / digital converter

A/D conversion technique	Sigma-Delta
A/D conversion resolution	16 bits
A/D conversion rate	25/ s

## Display format

Digits	Resolutin	Pt100 °C	TC "J" °C	TC "K" °C	TC "T" °C	Overrange	Wire open
3	0.1°	-19.9 / +99.9	-19.9 / +99.9	-19.9 / +99.9	-19.9 / +99.9	-OE /OuE	E1
3	1°	-199 / +800	-50 / +760	-50 / +999	-160 / +400	-OE /OuE	
4	0.1°	-199.9 / +400.0	-50.0 / +760.0	-50.0 / +999.9	-160.0 / +400.0	-OuE /OuE	
4	1°	-199 / +800	-50 / +760	-50 / +1370	-160 / +400	-OuE /OuE	
5	0.1°	-200.0 / +400.0	-50.0 / +760.0	-50.0 / +1370.0	-160.0 / +400.0	-OuE /OuE	
5	1°	-200 / +800	-50 / +760	-50 / +1370	-160 / +400	-OuE /OuE	

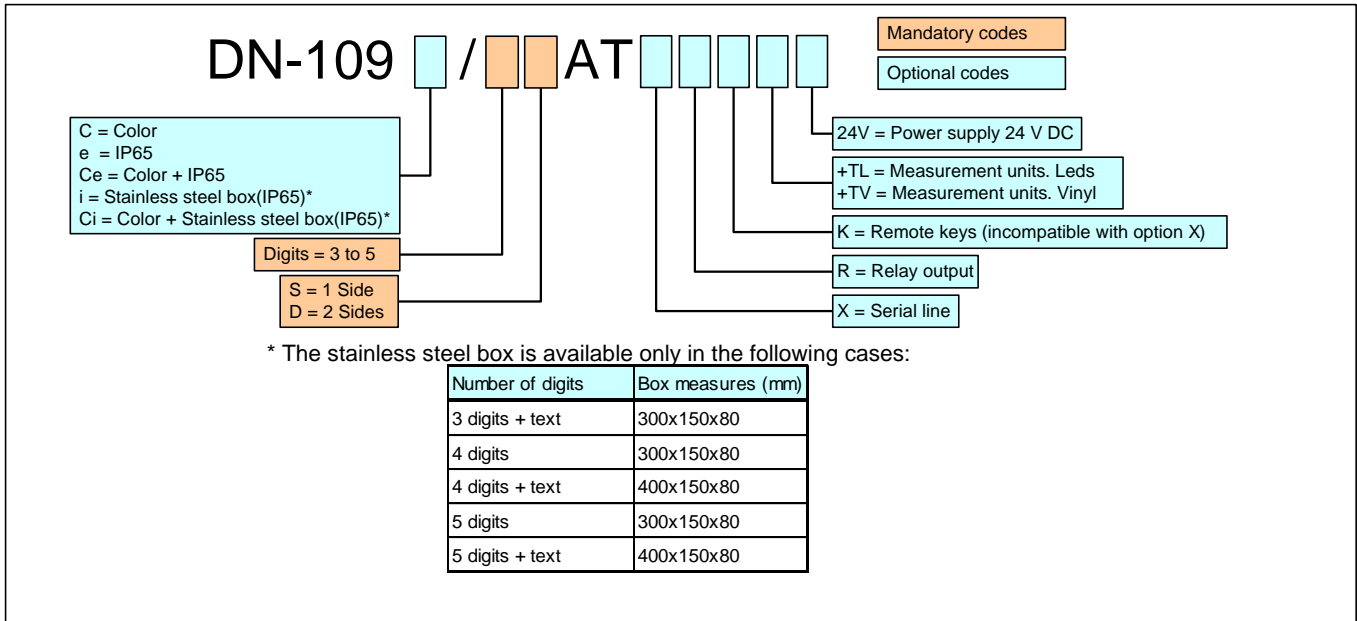
Digits	Resolutin	Pt100 °F	TC "J" °F	TC "K" °F	TC "T" °F	Overrange	Wire open
3	0.1°	-19.9 / +99.9	-19.9 / +99.9	-19.9 / +99.9	-19.9 / +99.9	-OE /OuE	E1
3	1°	-199 / +999	-58 / +999	-58 / +999	-199 / +752	-OE /OuE	
4	0.1°	-199.9 / +752.0	-58.0 / +999.9	-58.0 / +999.9	-199.9 / +752.0	-OuE /OuE	
4	1°	-328 / +1472	-58 / +1400	-58 / +2498	-256 / +752	-OuE /OuE	
5	0.1°	-328.0 / +752.0	-58.0 / +1400.0	-58.0 / +2498.0	-256.0 / +752.0	-OuE /OuE	
5	1°	-328 / +1472	-58 / +1400	-58 / +2498	-256 / +752	-OuE /OuE	

## Dimensions

Digits	3	4	5
--------	---	---	---

<b>DN-109</b>	<b>High = 122mm</b>	<b>Depth = 120mm</b>	
Width in mm	288	288	288
Width + Text option	288	336	382

## Reference composition



## EXAMPLES:

### DN-109/4DAT

4 digits display DN-109 of two sides. Thermometer

### DN-109e/5SAT+TL °C

5 digits display DN-109 of one side. Thermometer  
Text leds option. Text: °C.  
Protection degree IP65.

### DN-109Ce/3SAT

3 Digits, DN-109 series, one side.  
Red/green/yellow colour display digits. Protection degree IP65.