

# Temperature and humidity display



**57 mm high digits. Industrial environment  
Readable from up to 25m  
1 o 2 displaying sides.**

## Application field

The DN-109TH is a display that can show the relative humidity and temperature of environmental, freezers and refrigerators, storage rooms, It shows temperature and relative humidity indoor and outdoor.

Temperature format: 23.4 °

Humidity format: H 56 %.

## Probe characteristics.

Thermometer: Precision:  $\pm 0,5^{\circ}\text{C}$  at  $25^{\circ}\text{C}$ .  
Resolution:  $0,1^{\circ}\text{C}$ .  
Temperature range:  $-20^{\circ}\text{C}$  to  $80^{\circ}\text{C}$

Hygrometer: Precision:  $\pm 3,5\%$  between 30% and 70%  
Resolution: 1%  
Humidity range: 0% to 99%

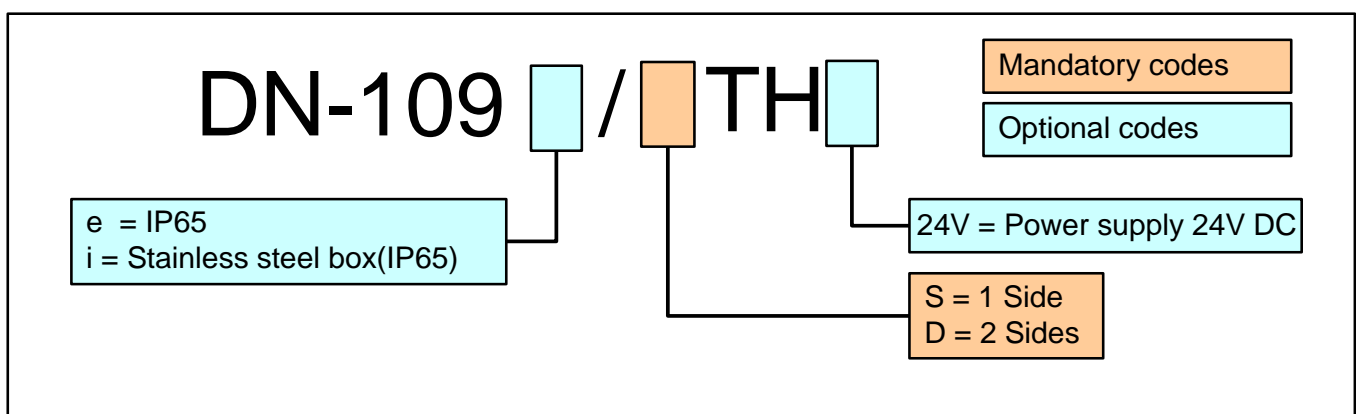
Protection degree: IP67



## General specifications

Numeric display Height	57mm
Visibility	30 meters
Supply voltage	100VAC to 240VAC 50/60Hz . Option 24VCC
Display sides	One or two
Mesures	288x122x120
Housing	Rugged aluminum extrusion
Frontal	Methacrylate
Back	PVC
Protection degree	IP-41 or IP-65
Mounting	By lateral supports that allow assembly in the wall or suspended
Functions	1- Temperature, 2- Humidity, 3- Temperature and humidity alternating
Setting parameters	By pushbuttons
Operating temperature	0° a 50°C

## Reference composition



### EXAMPLES:

#### DN109/STH

Display DN-109TH , one side,  
Protection degree IP41, power supply 220VAC.

#### DN109e/DTH24V

Display DN-109TH , two sides,  
Protection degree IP65, power supply 24VCC