

Analog input. Process control.



**100 mm high digits. Industrial environment
Readable from up to 50m
1 o 2 displaying sides.**

Application field

They are most often used to show any instrument analog output voltage in the range $\pm 10V$ (0-10V, 0-5V, 0-1V, 1-5V), or analog output current in the range $\pm 20mA$ (0-1mA, 0-5mA, 0-20mA, 4-20mA). They are easily configurable with 3 pushbuttons or with a PC if the serial line option is present. But, because they are scalable, they can be used to show any physical measurement in your process.

All equipment is factory completely calibrated with data stored in non erasable memory without use of adjustment potentiometers

Colour option

Available for models DN-109 and DN-119. It lets you to choose the display colour depending on the input value. The valid colours are: Red, green and yellow.



Serial line option

The serial line option (RS-232C/RS-485) lets you to program or to read actual display value. The available parameters are: Baud rate, Parity, Data bits, Stop bits and Display address.

Dual relay output option

Two programmable relay output are available. Selectable HI or LO . Delay time or hysteresis adjustable.

Option to display the measures units

Several measure units can be permanently displayed: Kg, Tm, °C, mV, m/s, l/s, or any other unit, as the consumer desires, up to three characters.

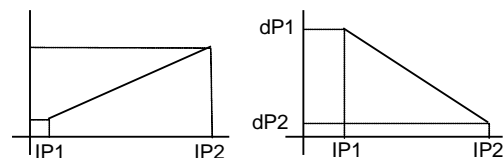
General specifications

Power supply	230V AC($\pm 10\%$)
Case material	Aluminum extruded
Mounting	Wall or suspension
Display	Color red or red/green/yellow
Frontal	Methacrylate
Back	PVC
Operating temperature	-20° a 60°C

Display format

	3 Digits	4 Digits	5 Digits
Resolution	-199/999	-1999/9999	-19999/99999
Overrange	-OE / OuE	-OuE / OuE	-OuE/OuE

Direct or inverse relation



Analog / digital converter

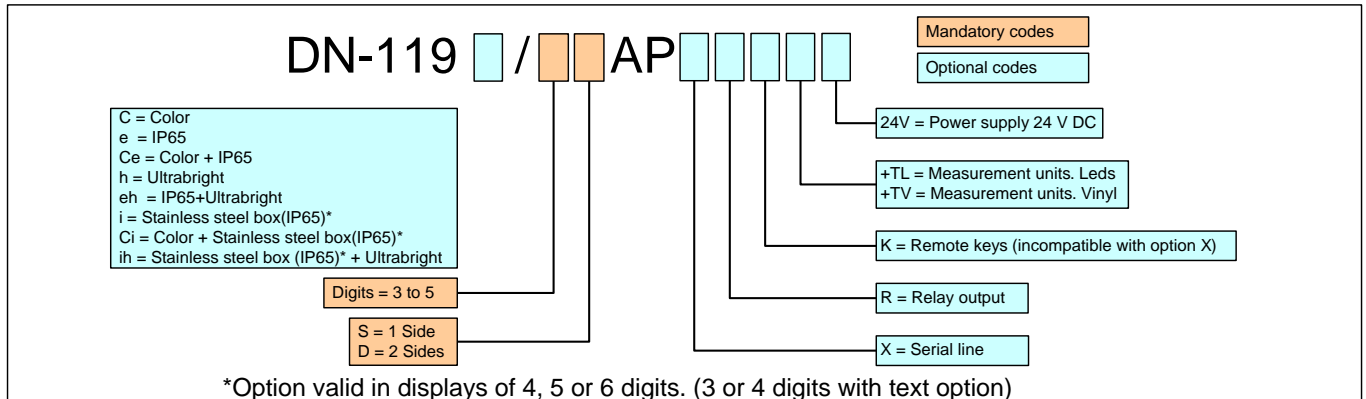
A/D conversion technique	Sigma-Delta	
A/D conversion resolution	16 bits	
A/D conversion rate	25/ s	
Entrada Procés	Tensió	Corrent
Marge	$\pm 10V$ DC	$\pm 20mA$ DC
	0 - 1V	0 - 1 mA
	0 - 5V	0 - 5 mA
	1 - 5V	0 - 20 mA
	0 - 10V	4 - 20 mA
Resolució	0,5 mV	5 μA
Impedància entrada	1 M Ohm	12.1 Ohm
Error màxim	$\pm(0,1\%$ lectura + 3 dígits)	
Coefficient de temperatura	100 ppm / °C	
Temps escalfament	5 minuts	
Excitació sortida	24V DC 100 mA	

Dimensions

Digits	3	4	5
--------	---	---	---

DN-119	High = 177mm	Depth = 120mm	
Width in mm	324	414	504
Width + Text option	504	594	684

Reference composition



EXAMPLES:

DN119/4DAP

Process input signal 4 digits display DN-119 of two sides.

DN119Ce/3SAP

3 Digits, DN-119 series, one face.

Red/green/yellow colour display digits. Protection degree IP65.

DN119e/5SAP+TL rpm

Process input signal 5 digits display DN-119 of one side.

Text leds option. Text: rpm.

Protection degree IP65.