

Thermometer: Pt100, Thermocouple J, K and T.



100 mm high digits. Industrial environment
Readable from up to 50m
1 o 2 displaying sides.

Application field

They are most often used to show temperature using Pt100 or thermocouple J, K or T probe. The displayed value may be in Centigrade or Fahrenheit degrees with resolution of 1 degree or 0,1 degree. It is also possible to modify the displayed value with the Offset parameter.

All equipment is factory completely calibrated with data stored in non erasable memory without use of adjustment potentiometers

Colour option

Available for models DN-109 and DN-119. It lets you to choose the display colour depending on the input value. The valid colours are: Red, green and yellow.



Serial line option

The serial line option (RS-232C/RS-485) lets you to program or to read actual display value. The available parameters are: Baud rate, Parity, Data bits, Stop bits and Display address.

Dual relay output option

Two programmable relay output are available. Selectable HI or LO . Delay time or hysteresis adjustable.

Option to display the measures units

The measure units can be permanently displayed: °C or °F.

General specifications

Power supply	100VAC to 240VAC 50/60Hz. Option 24VCC
Case material	Aluminum extruded
Mounting	Wall or suspension
Display	Color red or red/green/yellow
Frontal	Methacrylate
Back	PVC
Operating temperature	0° to 50°C

Analog / digital converter

A/D conversion technique	Sigma-Delta
A/D conversion resolution	16 bits
A/D conversion rate	25/ s

Display format

Digits	Resolutin	Pt100 °C	TC "J" °C	TC "K" °C	TC "T" °C	Overrange	Wire open
3	0.1°	-19.9 / +99.9	-19.9 / +99.9	-19.9 / +99.9	-19.9 / +99.9	-OE /OuE	E1
3	1°	-199 / +800	-50 / +760	-50 / +999	-160 / +400	-OE /OuE	
4	0.1°	-199.9 / +400.0	-50.0 / +760.0	-50.0 / +999.9	-160.0 / +400.0	-OuE /OuE	
4	1°	-199 / +800	-50 / +760	-50 / +1370	-160 / +400	-OuE /OuE	
5	0.1°	-200.0 / +400.0	-50.0 / +760.0	-50.0 / +1370.0	-160.0 / +400.0	-OuE /OuE	
5	1°	-200 / +800	-50 / +760	-50 / +1370	-160 / +400	-OuE /OuE	

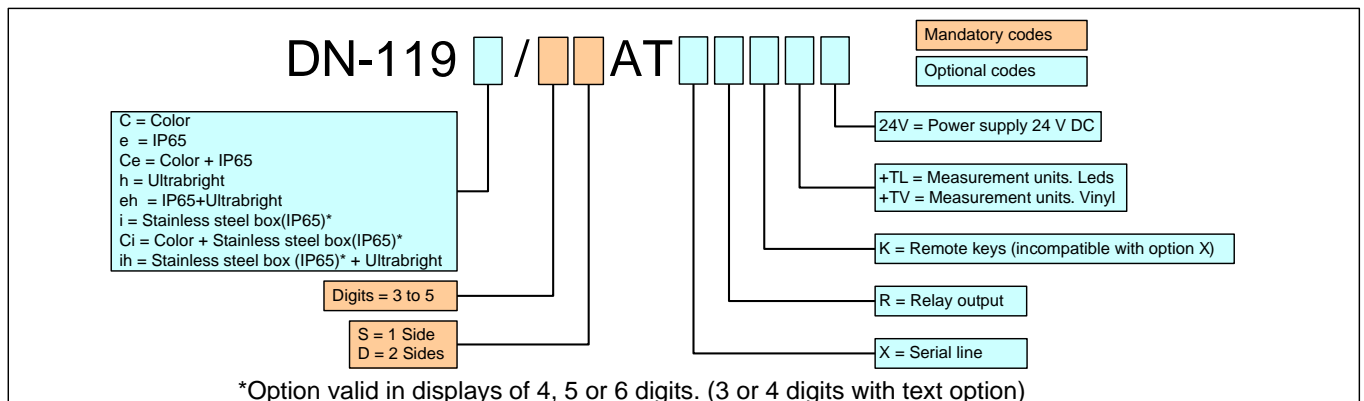
Digits	Resolutin	Pt100 °F	TC "J" °F	TC "K" °F	TC "T" °F	Overrange	Wire open
3	0.1°	-19.9 / +99.9	-19.9 / +99.9	-19.9 / +99.9	-19.9 / +99.9	-OE /OuE	E1
3	1°	-199 / +999	-58 / +999	-58 / +999	-199 / +752	-OE /OuE	
4	0.1°	-199.9 / +752.0	-58.0 / +999.9	-58.0 / +999.9	-199.9 / +752.0	-OuE /OuE	
4	1°	-328 / +1472	-58 / +1400	-58 / +2498	-256 / +752	-OuE /OuE	
5	0.1°	-328.0 / +752.0	-58.0 / +1400.0	-58.0 / +2498.0	-256.0 / +752.0	-OuE /OuE	
5	1°	-328 / +1472	-58 / +1400	-58 / +2498	-256 / +752	-OuE /OuE	

Dimensions

Digits	3	4	5
--------	---	---	---

DN-119	High = 177mm	Depth = 120mm	
Width in mm	324	414	504
Width + Text option	504	594	684

Reference composition



EXAMPLES:

DN119/4DAT

4 digits display DN-119 of two sides. Thermometer

DN119Ce/3SAT

3 Digits, DN-119 series, one face.

Red/green/yellow colour display digits. Protection degree IP65.

DN119e/5SAT+TL °C

5 digits display DN-119 of one side. Thermometer

Text leds option. Text: °C

Protection degree IP65.