

Numeric Profinet Display Slave



100 mm high digits. Industrial environment
Readable up to 50m
1 or 2 displaying sides

Characteristics

- Numeric data display to use on industrial applications
- Time out function between data
- Automatic colour selection depending of displayed value (only with colour option requested)
- ProfiNET RT Class 1 V2.3. Double Ethernet port with electrical isolation
- GSD file available

Application

Production counting & display of numbers from Profinet Network. Any numeric variable can be displayed like counters, RPM, temperature, # of pieces, efficiency %...
Dual Ethernet port with isolation & duplicate address detection.

Colour option

If requested the display colour can change depending on the input value. Colours are: Red, green and yellow. Changing can be related to an internal loaded table or being forced by PC/PLC.



Option to display the measured units

Up to 3 characters can be added to display units, like: Kg, Tm, °C, mV, m/s... Text is displayed using white vinyl letters or led illuminated letters (red or green).

Data tipe & equipment configuration

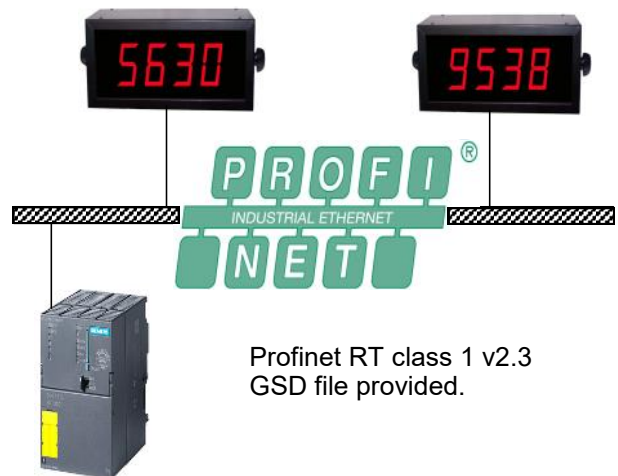
Data type

- UDWORD, DWORD, UWORD, WORD, decimal point controlled position
- ASCII allows to send numerical data in ASCII format and control characters for color control and blinking

► Data type is configured Offline using push buttons. It is not possible to change it Online.

Equipment configuration

The equipment comes with a default Profinet parameters and with the GSD file. To change one or more parameters an application is provided, allowing to reprogram offline the display with a new configuration and to generate the GSD file again. Display can work with Engineering tools like TIA Portal



Dimensions

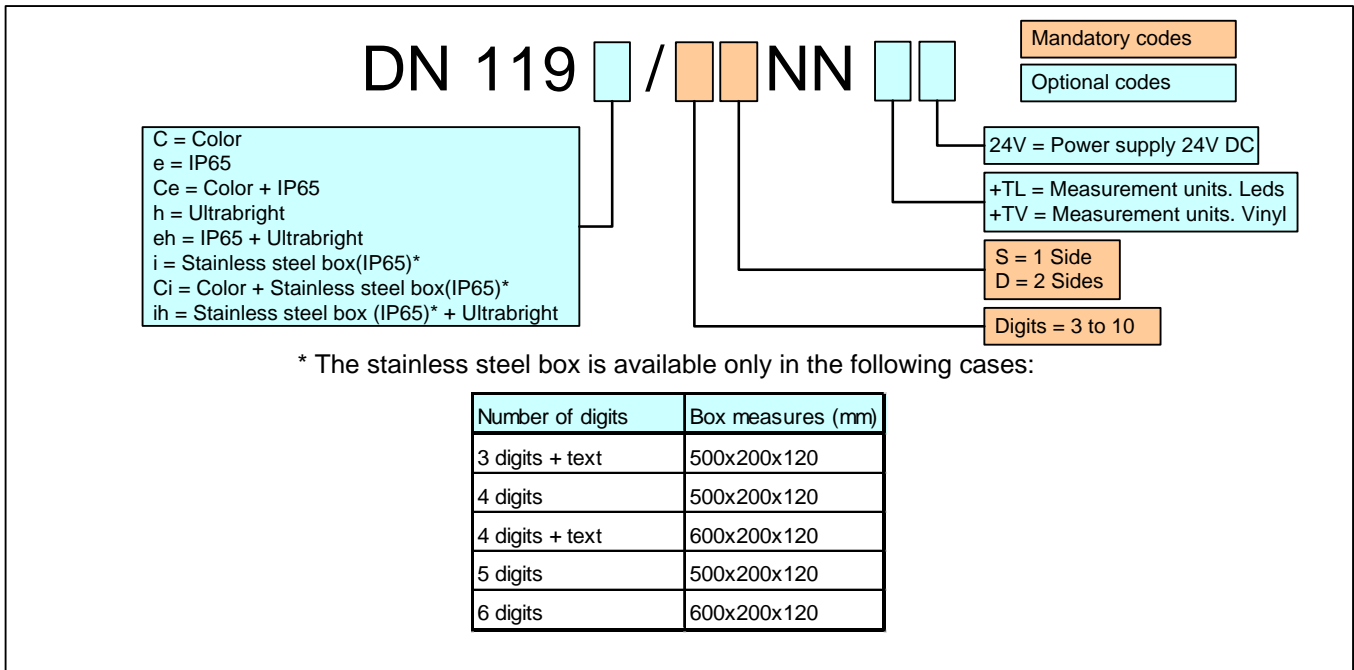
Digit #	2	3	4	5	6	7	8	9	10
---------	---	---	---	---	---	---	---	---	----

DN-119	Height = 175mm	Depth = 120mm							
Width in mm		324	414	504	594	684	774	864	954
Width + Option text in mm		504	594	684	774	864	954	1044	1134

General specifications

Numeric display Height	100mm
Text Height (optional)	60mm
Visibility	50 meters
Valid characters	0 a 9, A,b,C,c,d,E,F,H,h,i,J,L,n,o,P,r,U,u [espace],=,
Maximum environmental illumination	1000 lux
Maximum environmental lighting. Models (eh)	Outdoor
Colour: Red/Green/Yellow	OK, select applicable option
Supply voltage	88 to 264 VAC 47 to 63Hz. Option 24VCC
Display sides	One or two
Housing	Rugged aluminum extrusion
Mounting	Wall or suspension
Protocols	PROFINET RT class 1 v2.3
Operating temperature	-20° to 60°C
Storage temperature	-30° to 70°C
Protection level	IP41 IP65

Reference composition



EXAMPLES:

DN119/4DNN

4 Digits, DN119 series display, two sides.

DN119/5SNNTL ("m/m")

5 Digits, DN119 series display, one side. Fixed text "m/m" in red leds.

DN119C/3SNN

3 Digits, DN119 series display, tricolour, one side.