

Multifunction: BCD, Counter, Tachometer, etc



100 mm high digits. Industrial environment
Readable from up to 50m
1 o 2 displaying sides.

Application field

Easy to configure for wide range of applications. PNP, NPN or contact 12 a 24V DC inputs.
Digital control from PLC, counter, tachometer, chronometer, timer and binary control.

Colour option

Available for models DN-109 and DN-119. It lets you to choose the display colour depending on the input value.
The valid colours are: Red, green and yellow.



Serial line option

The serial line option (RS-232C/RS-485) lets you to program or to read actual display value. The available parameters are: Baud rate, Parity, Data bits, Stop bits and Display address.

Dual relay output option

Two programmable relay output are available. Selectable HI or LO . Delay time or hysteresis adjustable.

Option to display the measures units

Several measure units can be permanently displayed: Kg, Tm, °C, mV, m/s, l/s, or any other unit, as the consumer desires, up to three characters.

General specifications

GENERAL SPECIFICATIONS

	DN-119
Numeric display Height	100mm
Unity of mesures text Height (optional)	60mm
Viewing	50 meters
Characters distribution	0 a 9, A,B,C,D [space]
Maximum environmental lighting	1000 lux
Maximum environmental lighting. Models (eh)	Outdoor
Colour. Red/Green/Yellow	Applicable
Power supply	100VAC to 240VAC 50/60Hz . Option 24VCC
N° of displaying sides	One or two
Box	Aluminium extruded
Assembly by lateral supports	Wall or suspension mounting
Digital inputs	14 PNP, NPN or contact inputs from 12 to 26Vcc.
Parameter programming	By pushbuttons
Options	Two outputs relay.

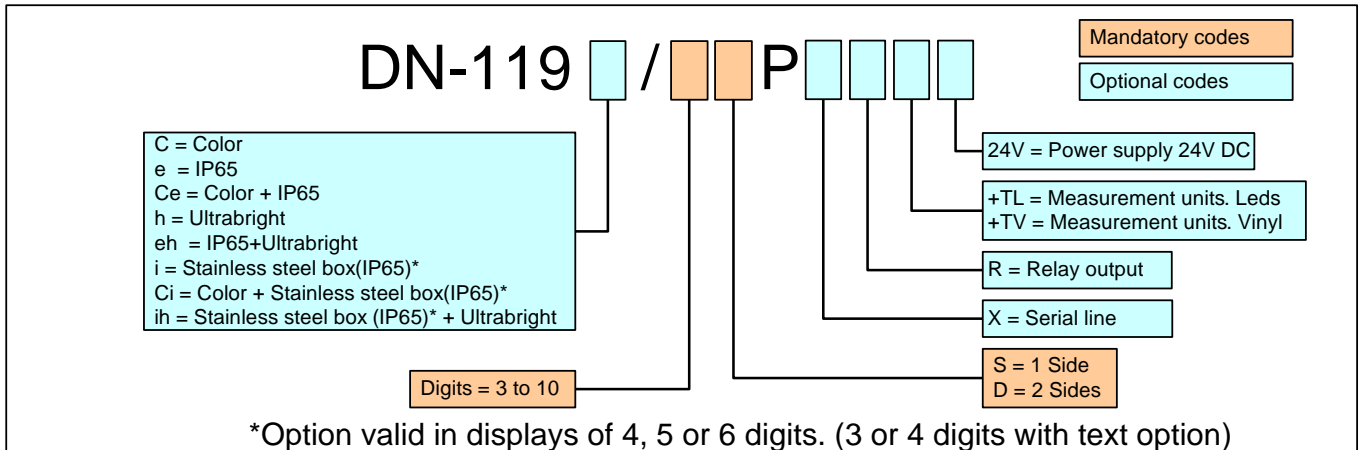
FUNCTIONS

Multiplexed BCD	9 bits. From 3 to 10 digits models.
Direct BCD	14 bits. Only 3 digits
Counter	Multiplier and divisor. Maximum frequency 10kHz
Tachometer	Display value adjustable. Maximum frequency 15kHz
Chronometer	Hour and minutes or Minutes and seconds
Binary	14 bits. From 0 to 16383

Dimensions

Dígitos	3	4	5	6	7	8	9	10	
DN-119	Height = 175mm			Depth = 120mm					
Width in mm	324	414	504	594	684	774	864	954	
Width + Option text in mm	504	594	684	774	864	954	1044	1134	

Reference composition



EXAMPLES:

DN119/4DP

4 digits, DN-119 series display, two sides.

DN119Ce/6SP

6 Digits, DN-119 series, one side.

Red/green/yellow colour display digits. Protection degree IP65.

DN119e/5SPR+TL rpm

5 digits, DN-119 series display, one side. Relay option.

Text option: rpm.

Protection degree IP65.