

Temperature and humidity display



100 mm high digits. Industrial environment
Readable from up to 50m
1 o 2 displaying sides.

Application field

The DN109TH is a display that can show the relative humidity and temperature of environmental, freezers and refrigerators, storage rooms, It shows temperature and relative humidity indoor and outdoor.

Temperature format: 23.4 °

Humidity format: H 56 %.

Probe characteristics.

Thermometer: Precision: $\pm 0,5^{\circ}\text{C}$ at 25°C .
Resolution: $0,1^{\circ}\text{C}$.
Temperature range: -20°C to 80°C

Hygrometer: Precision: $\pm 3,5\%$ between 30% and 70%
Resolution: 1%
Humidity range: 0% to 99%

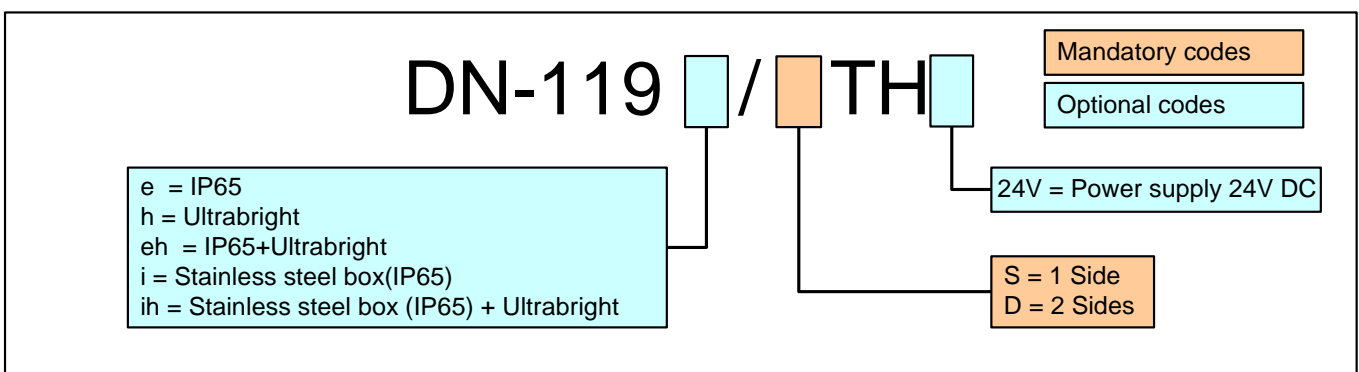
Protection degree: IP67



General specifications

Numeric display Height	100mm
Visibility	50 meters
Supply voltage	100VAC to 240VAC 50/60Hz . Option 24VCC
Display sides	One or two
Mesures	414x175x120
Housing	Rugged aluminum extrusion
Frontal	Methacrylate
Back	PVC
Protection degree	IP-41 or IP-65
Mounting	By lateral supports that allow assembly in the wall or suspended
Functions	1- Temperature, 2- Humidity, 3- Temperature and humidity alternating
Setting parameters	By pushbuttons
Operating temperature	0° a 50°C

Reference composition



EXAMPLES:

DN119/STH

Display DN-119TH , one side,
Protection degree IP41, power supply 220VAC.

DN119eh/DTH24V

Display DN-119TH , two sides,
Protection degree IP65, ultrabright, power supply 24VCC