

Thermometer: Pt100, Thermocouple J, K and T.



**250 mm high digits. Industrial environment
Readable from up to 120m
1 o 2 displaying sides.**

Application field

They are most often used to show temperature using Pt100 or thermocouple J, K or T probe. The displayed value may be in Centigrade or Fahrenheit degrees with resolution of 1 degree or 0,1 degree. It is also possible to modify the displayed value with the Offset parameter.

All equipment is factory completely calibrated with data stored in non erasable memory without use of adjustment potentiometers

Serial line option

The serial line option (RS-232C/RS-485) lets you to program or to read actual display value. The available parameters are: Baud rate, Parity, Data bits, Stop bits and Display address.

Dual relay output option

Two programmable relay output are available. Selectable HI or LO . Delay time or hysteresis adjustable.

Option to display the measures units

The measure units can be permanently displayed: °C or °F.

General specifications

Power supply	100VAC to 240VAC 50/60Hz. Option 24VCC
Case material	Aluminum extruded
Mounting	Wall or suspension
Display	Color red or red/green/yellow
Frontal	Methacrylate
Back	PVC
Operating temperature	0° to 50°C

Analog / digital converter

A/D conversion technique	Sigma-Delta
A/D conversion resolution	16 bits
A/D conversion rate	25/ s

Display format

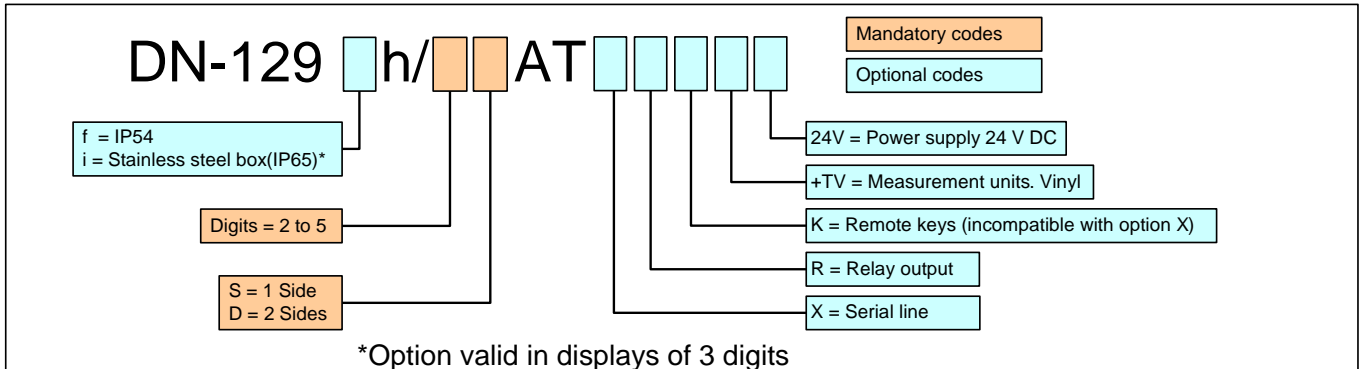
Digits	Resolutin	Pt100 °C	TC "J" °C	TC "K" °C	TC "T" °C	Overrange	Wire open
3	0.1°	-19.9 / +99.9	-19.9 / +99.9	-19.9 / +99.9	-19.9 / +99.9	-OE /OuE	E1
3	1°	-199 / +800	-50 / +760	-50 / +999	-160 / +400	-OE /OuE	
4	0.1°	-199.9 / +400.0	-50.0 / +760.0	-50.0 / +999.9	-160.0 / +400.0	-OuE /OuE	
4	1°	-199 / +800	-50 / +760	-50 / +1370	-160 / +400	-OuE /OuE	
5	0.1°	-200.0 / +400.0	-50.0 / +760.0	-50.0 / +1370.0	-160.0 / +400.0	-OuE /OuE	
5	1°	-200 / +800	-50 / +760	-50 / +1370	-160 / +400	-OuE /OuE	

Digits	Resolutin	Pt100 °F	TC "J" °F	TC "K" °F	TC "T" °F	Overrange	Wire open
3	0.1°	-19.9 / +99.9	-19.9 / +99.9	-19.9 / +99.9	-19.9 / +99.9	-OE /OuE	E1
3	1°	-199 / +999	-58 / +999	-58 / +999	-199 / +752	-OE /OuE	
4	0.1°	-199.9 / +752.0	-58.0 / +999.9	-58.0 / +999.9	-199.9 / +752.0	-OuE /OuE	
4	1°	-328 / +1472	-58 / +1400	-58 / +2498	-256 / +752	-OuE /OuE	
5	0.1°	-328.0 / +752.0	-58.0 / +1400.0	-58.0 / +2498.0	-256.0 / +752.0	-OuE /OuE	
5	1°	-328 / +1472	-58 / +1400	-58 / +2498	-256 / +752	-OuE /OuE	

Dimensions

Digits	2	3	4	5
DN-129	High = 366mm		Depth = 120mm	
Width in mm	515	750	985	1220
Width + Text option	985	1220	1455	1690

Reference composition



EXAMPLES:

DN129h/4DAT

4 digits display DN-129 of two sides. Thermometer.

DN129fh/3SAT

3 Digits, DN-129 series, one side.
Protection degree IP54.

DN129fh/5SAT+TV °C

5 digits display DN-129 of one side. Thermometer.
Text vinyl option. Text: °C.
Protection degree IP54.