

Multifunction: BCD, Counter, Tachometer, etc



**250 mm high digits. Industrial environment
Readable from up to 120m
1 o 2 displaying sides.**

Application field

Easy to configure for wide range of applications. PNP, NPN or contact 12 to 24V DC inputs.
Digital control from PLC, counter, tachometer, chronometer, timer and binary control.

Serial line option

The serial line option (RS-232C/RS-485) lets you to program or to read actual display value. The available parameters are: Baud rate, Parity, Data bits, Stop bits and Display address.

Dual relay output option

Two programmable relay output are available. Selectable HI or LO . Delay time or hysteresis adjustable.

Option to display the measures units

Several measure units can be permanently displayed: Kg, Tm, °C, mV, m/s, l/s, or any other unit, as the consumer desires, up to three characters.

General specifications

GENERAL SPECIFICATIONS

	DN-129
Numeric display Height	250mm
Unity of mesures text Height (optional)	200mm
Viewing	120 meters
Characters distribution	0 a 9, A,B,C,D [space]
Maximum environmental lighting	1000 lux
Maximum environmental lighting. Models (eh)	No applicable
Colour. Red/Green/Yellow	No applicable
Power supply	100VAC to 240VAC 50/60Hz . Option 24VCC
N° of displaying sides	One or two
Box	Aluminium extruded
Assembly by lateral supports	Wall or suspension mounting
Digital inputs	14 PNP, NPN or contact inputs from 12 to 26Vcc.
Parameter programming	By pushbuttons
Options	Two outputs relay.

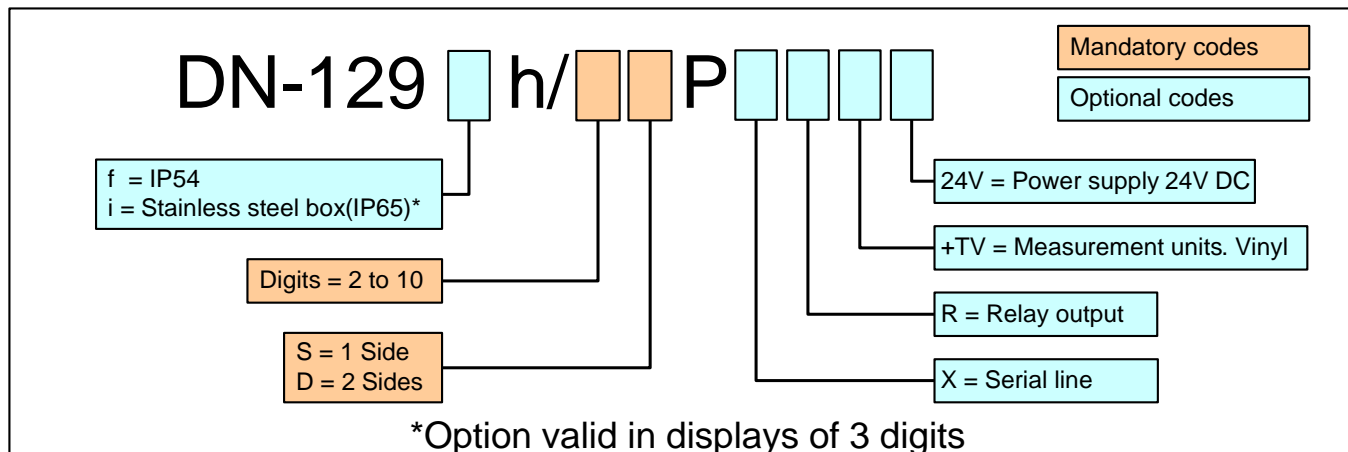
FUNCTIONS

Multiplexed BCD	9 bits. From 3 to 10 digits models.
Direct BCD	14 bits. Only 2 or 3 digits
Counter	Multiplier and divisor. Maximum frequency 10kHz
Tachometer	Display value adjustable. Maximum frequency 15kHz
Chronometer	Hour and minutes or Minutes and seconds
Binary	14 bits. From 0 to 16383

Dimensions

Digits	2	3	4	5	6	7	8	9	10
DN-129 Height = 366mm Depth = 120mm									
Width in mm	515	750	985	1220	1455	1690	1925	2160	2395
Width + Option text in mm	985	1220	1455	1690	1925	2160	2395	2630	2865

Reference composition



EXAMPLES:

DN129h/4DP

4 digits, DN-129 series display, two sides.

DN129fh/6SP

6 Digits, DN-119 series, one side.
Protection degree IP54.

DN129fh/5SPR+TV rpm

5 digits, DN-129 series display, one side. Relay option.
Text option: rpm.
Protection degree IP54.