

Serial control RS-232 / RS-485.



**250 mm high digits. Industrial environment
Readable from up to 120m
1 o 2 displaying sides.**

Application field

It shows data of internal registers from a PLC.

It displays data created from a PC.

It displays in big letters the lecture of voltmeter, temperature regulators, process controllers, etc.

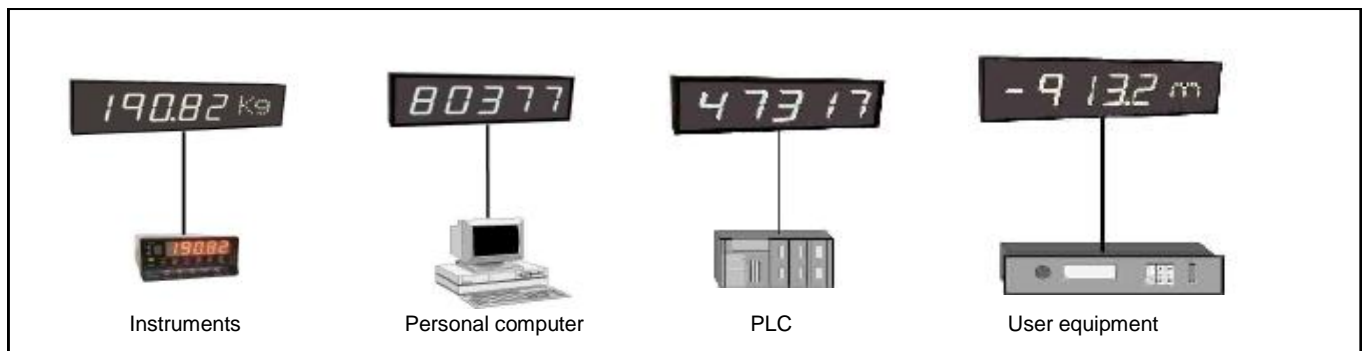
It displays data of users equipment based on microprocessors with RS-232 and RS-485 serial line, such as large scales, electromedecine equipments, etc.

Connection to Modbus (soon with other buses).

If Host-Link Omron protocol is used, the RS-422 option will be necessary .

Option to display the measures units

Several measure units can be permanently displayed: Kg, Tm, °C, mV, m/s, l/s, or any other unit, as the consumer desires, up to three characters.



SERIAL LINE INTERFACE CONFIGURATION

The displays includes two push bottoms to configure the protocol and the transmission characteristics: baud rate, parity, data bits and stop bits.

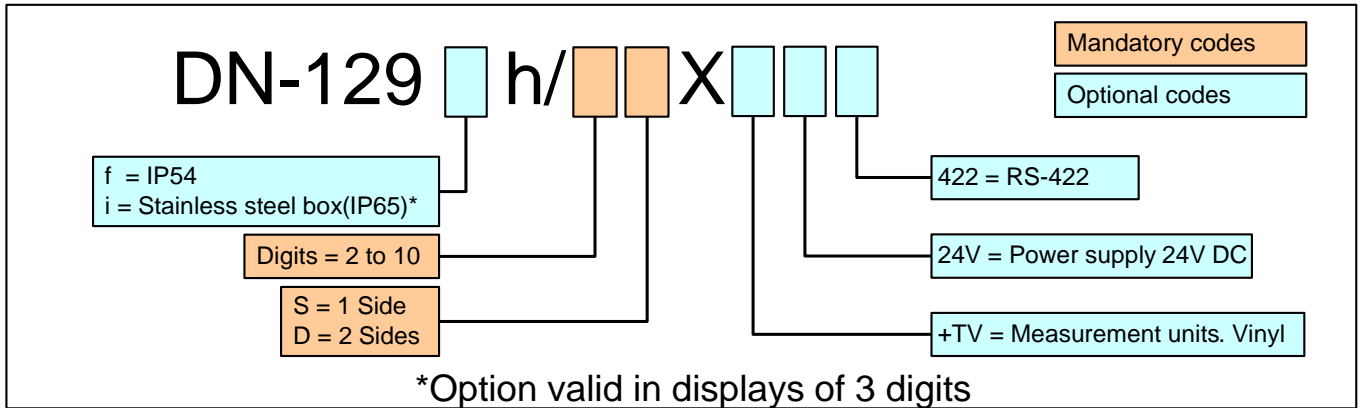
General specifications

Numeric display Height	250mm
Unity of mesures text Height (optional)	vinyl only
Viewing	120 meters
Characters distribution	0 a 9, A,b,C,c,d,E,F,H,h,i,J,L,n,o,P,r,U,u [espace] and [point]
Maximum environmental lighting	1000 lux
Maximum environmental lighting. Models (eh)	No applicable
Colour. Red/Green/Yellow	No applicable
Power supply	100VAC to 240VAC 50/60Hz.. Option 24VCC
N° of displaying sides	One or two
Box	Aluminum extruded
Assembly by lateral supports	Which fix to a surface or let in hung
Protocols	Ditel, ISO1745, Modbus, ASCII, Host-Link, S7-200,others

Dimensions.

Digits	2	3	4	5	6	7	8	9	10
DN-129	Height = 366mm		Depth = 120mm						
Width in mm	515	750	985	1220	1455	1690	1925	2160	2395
Width + Option text in mm	985	1220	1455	1690	1925	2160	2395	2630	2865

Reference composition



EXAMPLES:

DN129/4DX

4 digits, DN-129 series display, two sides.

DN129fh/6SX

6 Digits, DN-129 series, one side. Protection degree IP54.

DN129/5SX+TV "m/m"

5 digits, DN-129 series display, one side.
Text option: "m/m" in vinyl