

DeviceNet Slave



**180 mm high digits. Industrial environment
Readable from up to 90m
1 o 2 displaying sides.**

Application field

Production counting and display.
Any variable from a PLC, counters, RPM, temperature.

Option to display the measures units

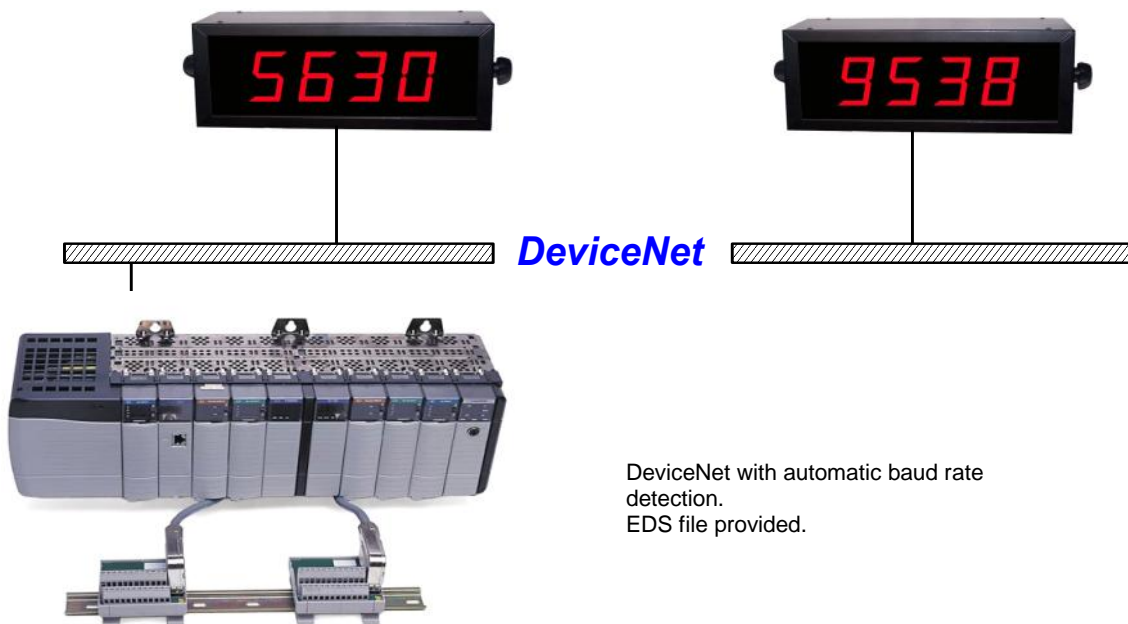
Several measure units can be permanently displayed: Kg, Tm, °C, mV, m/s, l/s, or any other unit, as the consumer desires, up to three characters.

DISPLAY CONFIGURATION

The displays includes two push buttons to configure the display address, the data type, time without reception and decimal point position.

General specifications

Altura Display numérico	180mm
Altura texto unidades de medida (Opcional)	145mm
Distancia máxima de lectura	90 metros
Caracteres	0 a 9, A,b,C,c,d,E,F,H,h,i,j,L,n,o,P,r,U,u [espacio],=, [punto],-, guión sup. e inf.
Iluminación ambiental máxima	1000 lux
Iluminación ambiente máxima modelos (eh)	Exterior
Opción color. Rojo/ verde/ amarillo	No aplicable
Alimentación general	100VAC a 240VAC 50/60Hz.. Opcional 24VCC
Nº de caras visualización	Una o dos
Caja	Perfil aluminio extrusionado, pintado negro mate lacado
Fijación por soportes laterales	Permiten la fijación a la pared o suspendido
Protocolos	DEVICENET Esclavo

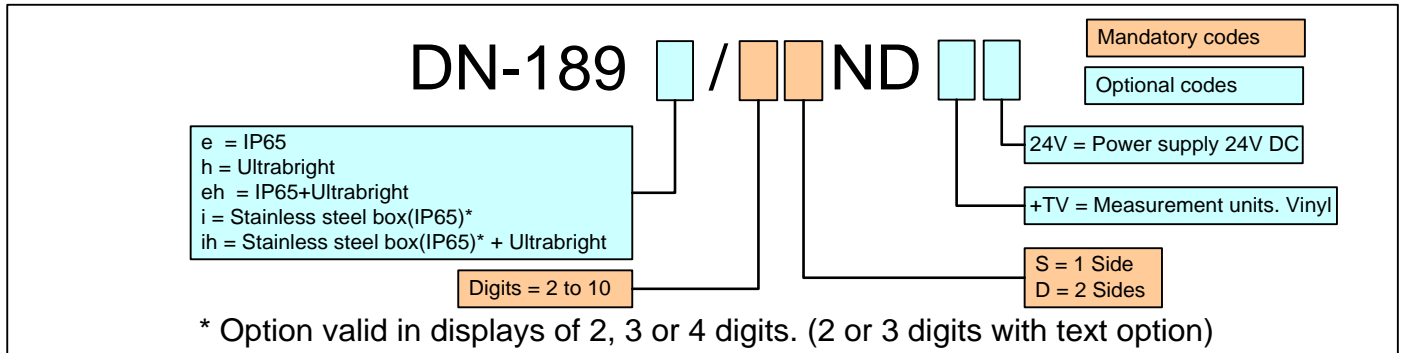


Dimensions

Dígitos	2	3	4	5	6	7	8	9	10
---------	---	---	---	---	---	---	---	---	----

DN-189	Height = 251mm		Depth = 120mm						
Width in mm	340	500	660	820	980	1140	1300	1460	1620
Width + Option text in mm	660	820	980	1140	1300	1460	1620	1780	1940

Reference composition



EXAMPLES:

DN189/4DND

4 Digits, DN-189 series display, two sides.

DN189/3SND

3 Digits, DN189 series display, one side.

DN189e/5SND+TV "m/m"

5 Digits, DN-189 series display, one side. Protection degree IP65. Fixed text "m/m" in vinyl.