

Ethernet TCP/IP and Modbus/TCP



**180 mm high digits. Industrial environment
Readable from up to 90m
1 o 2 displaying sides.**

Application field

Production counting and display. PC data from Scada software.
Any variable from a PC or PLC.

Option to display the measures units

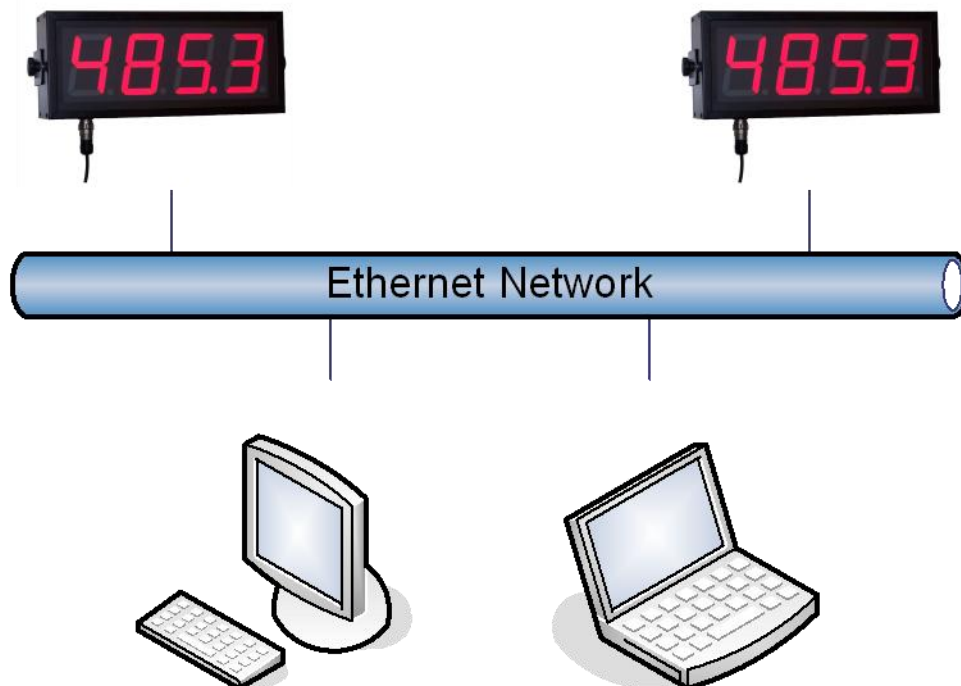
Several measure units can be permanently displayed: Kg, Tm, °C, mV, m/s, l/s, or any other unit, as the consumer desires, up to three characters.

Serial line configuration

The displays includes two push buttons to configure the protocol, the transmission characteristics and read the MAC code.

General specifications

Numeric display Height	180mm
Unity of mesures text Height (optional)	145mm
Visibility	90 meters
Valid characters	0 a 9, A,b,C,c,d,E,F,H,h,i,J,L,n,o,P,r,U,u [espace],=, [point],uppers., unders.
Maximum environmental illumination	1000 lux
Maximum environmental lighting. Models (eh)	Outdoor
Colour. Red/Green/Yellow	No applicable
Supply voltage	100VAC to 240VAC 50/60Hz. Option 24VCC
Display sides	One or two
Housing	Rugged aluminum extrusion
Mounting	Wall or suspension
Protocols	TCP/IP, UDP/IP and Modbus/TCP

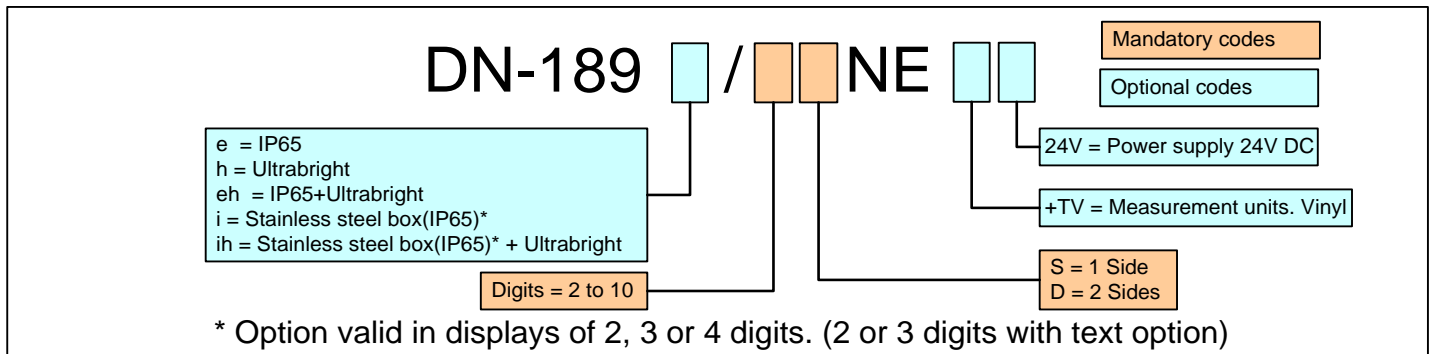


Dimensions

Dígitos	2	3	4	5	6	7	8	9	10
---------	---	---	---	---	---	---	---	---	----

DN-189	Height = 251mm		Depth = 120mm						
Width in mm	340	500	660	820	980	1140	1300	1460	1620
Width + Option text in mm	660	820	980	1140	1300	1460	1620	1780	1940

Reference composition



EXAMPLES:

DN189/4DNE

4 digits, DN-189 series display, two sides.

DN189/5SNE+TV rpm

5 digits, DN-189 series display, one side.
Text option: rpm.

DN189e/6SNE

6 Digits, DN-189 series, one side.
Protection degree IP65.