

Profibus DP slave



**180 mm high digits. Industrial environment
Readable from up to 90m
1 o 2 displaying sides.**

Application field

Production counting and display.
Any variable from a PLC, counters, RPM, temperature.

Option to display the measures units

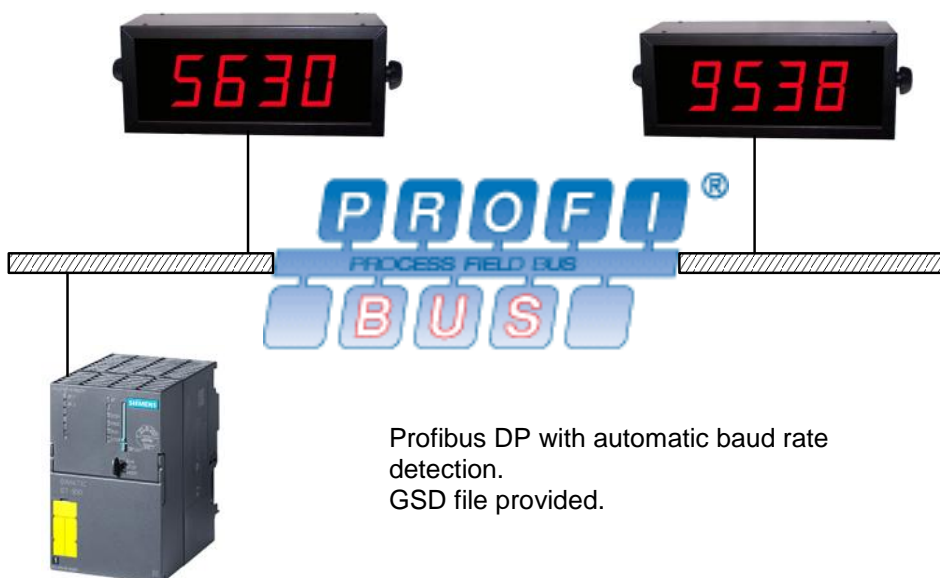
Several measure units can be permanently displayed: Kg, Tm, °C, mV, m/s, l/s, or any other unit, as the consumer desires, up to three characters.

DISPLAY CONFIGURATION

The displays include two push buttons to configure the display address, the data type, time without reception and decimal point position.

General specifications

Numeric display Height	180mm
Unity of mesures text Height (optional)	145mm
Visibility	90 meters
Valid characters	0 a 9, A,b,C,c,d,E,F,H,h,i,J,L,n,o,P,r,U,u [espace],=, [point],uppers., unders.
Maximum environmental illumination	1000 lux
Maximum environmental lighting. Models (eh	Outdoor
Colour. Red/Green/Yellow	No applicable
Supply voltage	100VAC to 240VAC 50/60Hz. Option 24VCC
Display sides	One or two
Housing	Rugged aluminum extrusion
Mounting	Wall or suspension
Protocols	PROFIBUS DP Slave 12MHz

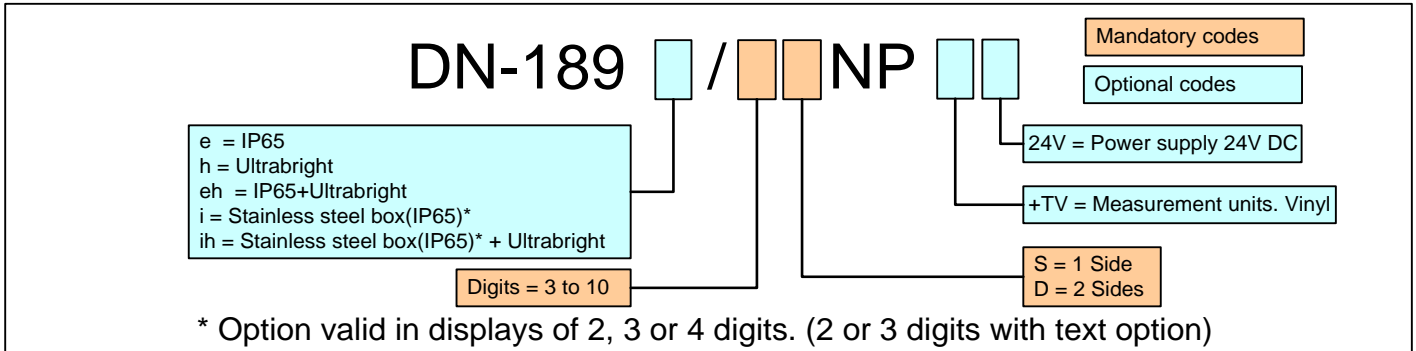


Profibus DP with automatic baud rate
detection.
GSD file provided.

Dimensions

Digits	2	3	4	5	6	7	8	9	10	
DN-189	Height = 251mm		Depth = 120mm							
Width in mm	340	500	660	820	980	1140	1300	1460	1620	
Width + Option text in mm	660	820	980	1140	1300	1460	1620	1780	1940	

Reference composition



EXAMPLES:

DN189/4DNP

4 Digits, DN-189 series display, two sides.

DN189/3SNP

3 Digits, DN189 series display, one side.

DN189e/5SNP+TV "m/m"

5 Digits, DN-189 series display, one side. Protection degree IP65. Fixed text "m/m" in vinyl.