

Multifunction: BCD, Counter, Tachometer, etc



**180 mm high digits. Industrial environment
Readable from up to 90m
1 o 2 displaying sides.**

Application field

Easy to configure for wide range of applications. PNP, NPN or contact 12 to 24V DC inputs.
Digital control from PLC, counter, tachometer, chronometer, timer and binary control.

Serial line option

The serial line option (RS-232C/RS-485) lets you to program or to read actual display value. The available parameters are: Baud rate, Parity, Data bits, Stop bits and Display address.

Dual relay output option

Two programmable relay output are available. Selectable HI or LO . Delay time or hysteresis adjustable.

Option to display the measures units

Several measure units can be permanently displayed: Kg, Tm, °C, mV, m/s, l/s, or any other unit, as the consumer desires, up to three characters.

General specifications

GENERAL SPECIFICATIONS

	DN-189
Numeric display Height	180mm
Unity of mesures text Height (optional)	145mm
Viewing	90 meters
Characters distribution	0 a 9, A,B,C,D [space]
Maximum environmental lighting	1000 lux
Maximum environmental lighting. Models (eh)	Outdoor
Colour. Red/Green/Yellow	No applicable
Power supply	100VAC to 240VAC 50/60Hz . Option 24VCC
Nº of displaying sides	One or two
Box	Aluminium extruded
Assembly by lateral supports	Wall or suspension mounting
Digital inputs	14 PNP, NPN or contact inputs from 12 to 26Vcc.
Parameter programming	By pushbuttons
Options	Two outputs relay.

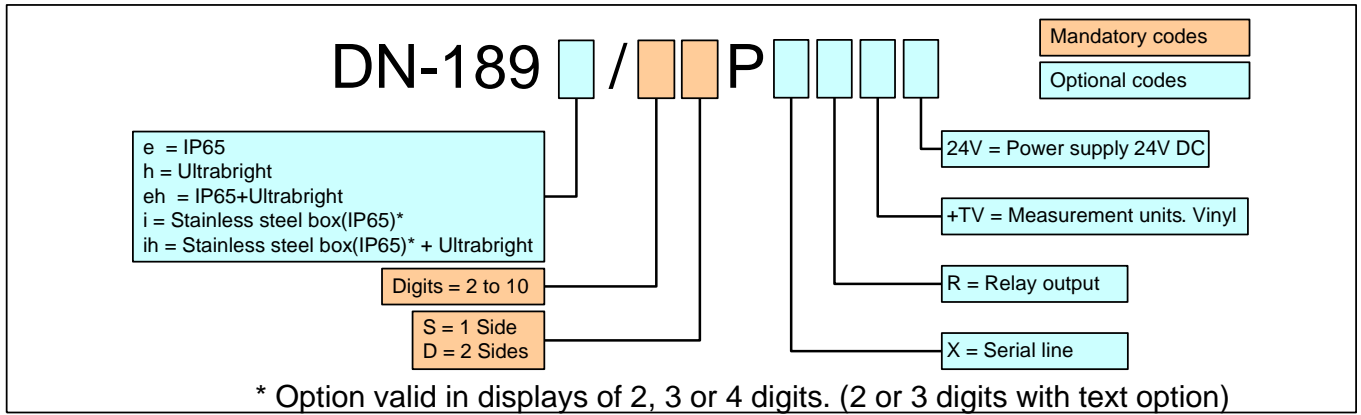
FUNCTIONS

Multiplexed BCD	9 bits. From 3 to 10 digits models.
Direct BCD	14 bits. Only 2 or 3 digits
Counter	Multiplier and divisor. Maximum frequency 10kHz
Tachometer	Display value adjustable. Maximum frequency 15kHz
Chronometer	Hour and minutes or Minutes and seconds
Binary	14 bits. From 0 to 16383

Dimensions

Dígitos	2	3	4	5	6	7	8	9	10
DN-189	Height = 251mm		Depth = 120mm						
Width in mm	340	500	660	820	980	1140	1300	1460	1620
Width + Option text in mm	660	820	980	1140	1300	1460	1620	1780	1940

Reference composition



EXAMPLES:

DN189/4DP

4 digits, DN-189 series display, two sides.

DN189e/6SP

6 Digits, DN-189 series, one side.
Protection degree IP65.

DN189e/5SPR+TV rpm

5 digits, DN-189 series display, one side. Relay option.
Text option: rpm.
Protection degree IP65.