

CLOCK



180 mm high dígits.

Readable from up to 90m.

Schedulable power-down and power-up.

Options:

- GPS time sincronization.**
- Ethernet communication using web server for control and configuration.**
SNTP client to sync with a time server.
- Alarms with relays.**
- Display network through RS-485.**

General characteristics

Power supply	100V a 240V AC 50/60Hz
Box	Aluminum extruded. Front in methacrylate and back in PVC
Fixing	Wall or suspension
Display	Red LEDs
Working conditions	-20°C to 60°C
Protection level	IP41
Battery	NI-MH 3,3V.
Clock deviation	<2s per month
Measures	820x251x120mm

GPS characteristics

Antenna	Active antenna with 5m long cable and magnetic fixation
Receiver	GPS L1
Warm-up time	< 1minute

Installation

The display is provided with power socket, plugs and screws for mounting to the wall.

No specific skills are required for its installation.

The time and display settings can be modified using three buttons located on the rear part, accessible once installed.

GPS option

The GPS option requires proximity window or facilities with thin roof. There is a parameter in the display menu for evaluating the quality of the received signal.

The antenna has a magnet for fastening ferrous elements and 5m cable

Ethernet option

The option allows to connect to the display using Ethernet knowing only the IP address. Within the display there is a web server that allows us to see the time, the date and the level of GPS signal (if the display has the option). The user can also change the display settings. To access the web server the user must enter the IP address of the clock in the browser URL. This option allows to sync the display with a SNTP server. This allows to create a display network so the displays sync within them. See examples in the user manual.

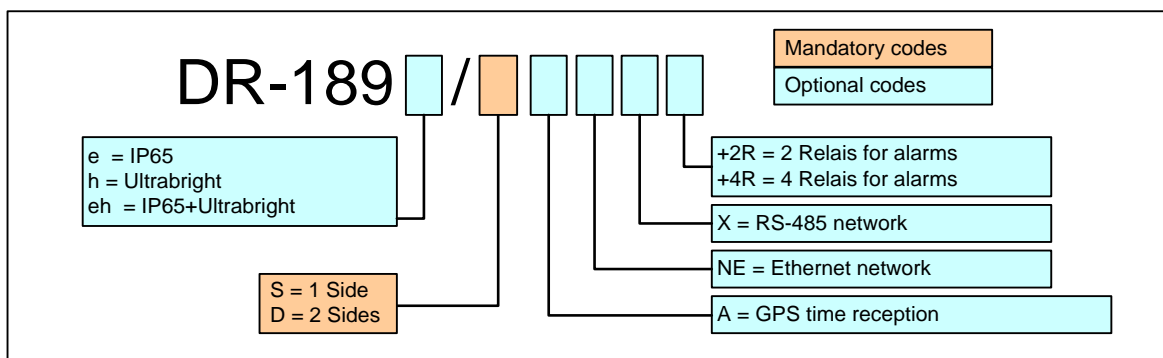
Relays option

Displays with relay option include 2 or 4 relays with 15 programmable alarms for each one. The alarms can be programmed depending on the time and the weekday. The alarms are programmed using the display web page. If this option is selected, the Ethernet option must be selected too.

RS-485 option

Displays with RS-485 option allows the time synchronisation through this bus

Reference composition



EXAMPLES

DR-189/S

Display from series DR-189, 1 side.

DR-189/SA

Display from series DR-189, 1 side, GPS time synchronization