

ProfiNET



50 mm high characters. Industrial environment
Readable up to 25m
1 or 2 displaying sides

Characteristics

- Message display (text, numbers & symbols) designed to be used in industrial environment.
- Real time clock: Seconds / Minutes / Hours / Days / Month / Year. It is adjustable by two push buttons or by ProfiNET. The clock has NiMH battery backup, which lasts approximately one month.
- The Display can be mounted with connectors upwards or downwards, text orientation will adapt using "spin" function
- ProfiNET RT class1 v2.3. Double Ethernet port with electric isolation & doubled address automatic detection.
- GSD file provided.
- Luminous intensity adjustable in 8 steps, from push buttons or by Profinet.
- Long messages can be displayed using the cyclic rotation scroll function (speed can be adjusted)
- Option: Humidity and temperature sensor

Applications

Display of any message from a PLC or ProfiNET network: Alarms, counting, production rates, alphanumeric readouts...

Edition & Configuration

Editing and saving messages on the display.

Message editing is done through the TDLWin application that allows to transfer them to the non-volatile internal memory. In applications where all messages are received by Profinet, it is only necessary to record the message by default, which is the one that is displayed from the start up until the first message is received

Configuration

The display is defined with default Profinet parameters and the GSD file is distributed.

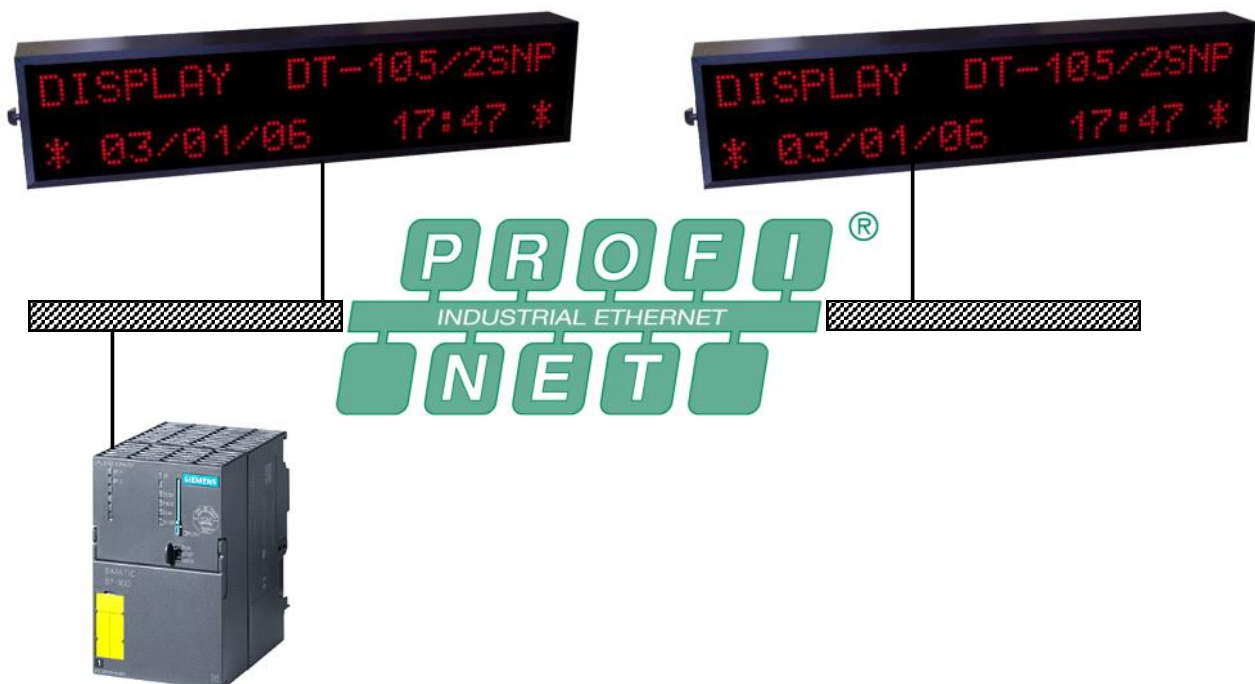
If those parameters are to be changed it is available an application that allows to program the display off line to the new configuration and auto generate the new GSD file to be able to use engineering tools such as TIA Portal

Working

The DT-NN displays have two operating modes:

- Control by code. Messages with a reference numeric identifier are defined and transferred to the internal memory. The messages are displayed by sending the associated numerical identifier from the control device.
- Direct control. The entire message and its control codes are sent directly by Profinet.
- Before to transmit the first block you must check the display parameters: See manual for details.

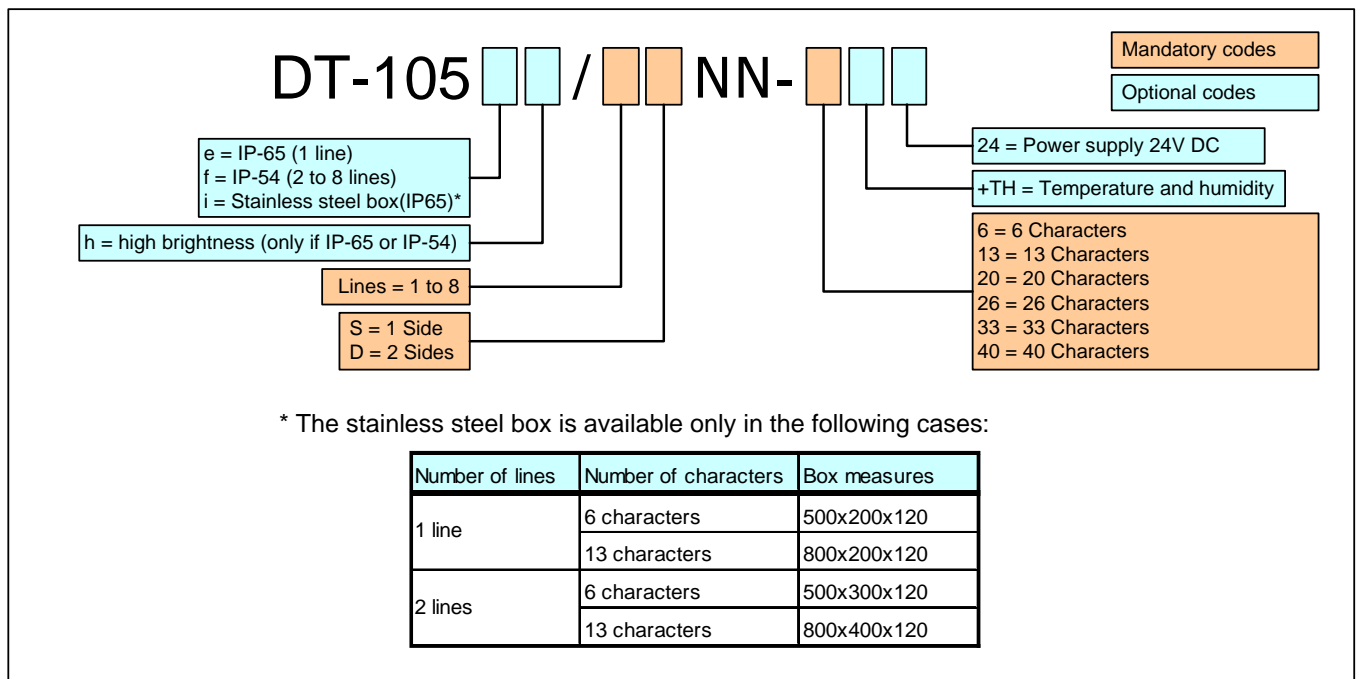
Example



General characteristics

Number of sides	1 or 2					
Communication	ProfiNET RT Class 1 V2.3					
Connector	ProfiNET (Double)					
Number of lines	1 to 8 lines					
Character/line	6, 13, 20, 26, 33 or 40 characters					
Display matrix	LED, 5 x 7 dot matrix					
Character height	50mm					
Reading distance	25 meters					
Maximum environmental lighting	DT105 = 1000 lux. DT105h = Outdoor					
Power supply	88 to 264 VAC 47 to 63Hz (Option 24V DC)					
	Dimensions (mm)					
	6 characters	13 characters	20 characters	26 characters	33 characters	40 characters
1 line	375 x 122 x 120	680 x 122 x 120	985 x 122 x 120	1290 x 122 x 120	1595 x 122 x 120	1900 x 122 x 120
2 lines	375 x 230 x 120	680 x 230 x 120	985 x 230 x 120	1290 x 230 x 120	1595 x 230 x 120	1900 x 230 x 120
3 lines	375 x 338 x 120	680 x 338 x 120	985 x 338 x 120	1290 x 338 x 120	1595 x 338 x 120	1900 x 338 x 120
4 lines	375 x 446 x 120	680 x 446 x 120	985 x 446 x 120	Not available	Not available	Not available
5 lines	375 x 554 x 120	680 x 554 x 120	985 x 554 x 120	Not available	Not available	Not available
6 lines	375 x 662 x 120	680 x 662 x 120	985 x 662 x 120	Not available	Not available	Not available
7 lines	375 x 770 x 120	680 x 770 x 120	Not available	Not available	Not available	Not available
8 lines	375 x 878 x 120	680 x 878 x 120	Not available	Not available	Not available	Not available
Protection degree	DT105 = IP41 DT105f = IP54 DT105e = IP65					
Max. number of messages	512 messages					
Max. Length of the message	160 characters					
Messages memory	EEPROM 32kB					
Character buffer	Variable depending on char and lines #					
Case/display	Aluminium section in black. Display in extruded antireflex methacrilate					
Humidity + temperature accuracy	Temperature $\pm 0,5^{\circ}\text{C}$ at 25°C . Humidity $\pm 3,5\%$ between 30% and 70%.					
Operation temperature	From -20°C to 60°C					
Storage temperature	From -30°C to 70°C					

Reference composition



Example:

DT105/4DNN40TH DT105 Display lines 40 characters double face option temperature & humidity
DT105i/2SNN13 DT105 Display 2 lines 13 characters option stainless steel box IP65