

# PI CA40-ADC

PI CA40-ADC

## INDICATOR FOR DC MEASUREMENTS USING EXTERNAL SHUNT

48 x 24 mm front panel  
Length 40 mm

- designed for a **specific** nautical field application: measurement of batteries charge-discharge current
- Current measurement using a shunt **connected to the battery negative terminal**.
- Type of SHUNT selected is programmable (50/ 60/ 100 mV)
- Programmable scale in the range  $\pm 199.9$  or  $\pm 1999$  A
- Display starts to blink when exceeding the 25 % of the scale in the case of discharge indication.
- 3 keys Keyboard located below the display.

## PICA40-ADC



## TECHNICAL CHARACTERISTICS

### VOLTAGE INPUT

Range .....  $\pm 100$  mV  
Internal resolution ..... 10  $\mu$ V

### INPUT IMPEDANCE

mV ..... 100 k $\Omega$

### ACCURACY at 23°C $\pm 5^\circ$ C

Max error .....  $\pm(0.2\%$  of reading + 3 digits)  
Temperature coefficient ..... 100 ppm/  $^\circ$ C  
Warm up ..... 5 minutes

### POWER SUPPLY

Range ..... 8 to 30 V dc  
Fuse recommended ( not supplied) ..... F 0,5 A

### CONSUMPTION

8 to 30 V dc .....  $\leq 25$  mA

### CONVERSION

Technical ..... Single Slope  
Resolution ..... 14 bits  
Reading rate ..... 166/ s

### DISPLAY

Range .....  $\pm 199.9 / \pm 1999$   
Resolution scale  $\pm 199.9$  A ..... 0.1 A  
Resolution scale  $\pm 1999$  A ..... 1 A  
Type ..... 4 red digits 10 mm  
Decimal point for scale values .....  $< \pm 200$  A  
Reading rate presentation ..... 2/s  
Blinking display for current discharge .....  $> 25\%$  Scale  
Blinking rate display ON/ OFF ..... 800 ms/ 200 ms  
Overflow indication .....  $\pm$  **OL**

### ENVIRONMENTAL

Operating temperature .....  $-10^\circ$  C  $\div$   $+60^\circ$  C  
Storage temperature .....  $-25^\circ$  C  $\div$   $+85^\circ$  C  
Relative humidity (non condensed) .....  $< 95\%$   $\div$   $40^\circ$  C  
Maximum altitude ..... 2000 m.  
Panel sealing ..... IP65

## PROGRAMMING

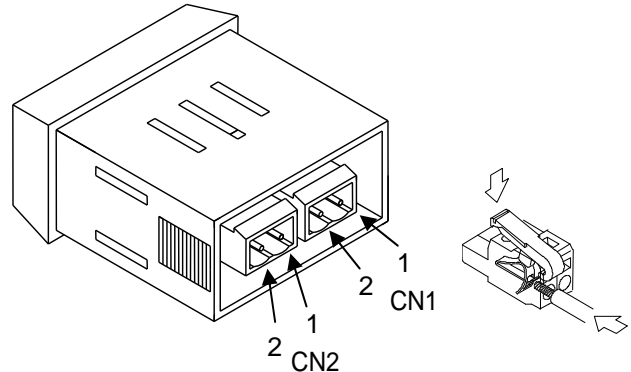
Display ranges:

..... -1999 to 1999  
..... -199.9 to 199.9



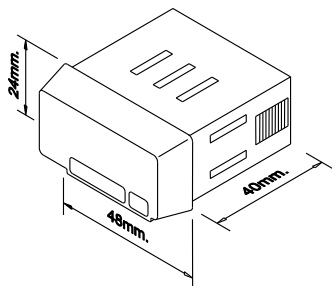
KEYBOARD DETAIL (BOTTOM VIEW)

## CONNECTIONS



## DIMENSIONS AND MOUNTING

Dimensions ..... 48 x 24 x 40 mm.  
Panel Cutout ..... 22 x 45 mm.  
Weight ..... 50 g.  
Case material ..... Polycarbonate s/ UL 94 V-0



CN1	INPUT SIGNAL
PIN 1	+ mV (Shunt)
PIN 2	- mV (Shunt)
CN2	POWER SUPPLY
PIN 1	+ Battery (8 to 30 V dc)
PIN 2	- Battery

## INSTALLATION

