

TEMPERATURE CONTROLLER SX48 SYROS SERIES

- **Super Slim type**
- **Easy operation**
- **Compact**
- **Low Cost**
- **Flexible**
- **IP65 Front Panel**

FEATURES

- With a 62 mm depth, and a front panel of only 1.6 mm thick, it is one of the smallest regulators in the market.
- Easy programming thanks to simplified menu structure.
- ON/OFF or PID Control, with auto-tuning and fuzzy control.
- IP65 Front panel.
- Input: Pt100 / Thermocouple (J,K,R,B,S,T,E,N, PLII).
- Relay Output (SPST 3A) or Pulse SSR Output.
- 1 Alarm (SPST 1A).
- Standby and Soft Start functions.
- Control cycle 200ms.
- Power supply: 100 to 240V AC 50/60Hz.
- Power consumption: (5VA at 100V AC, 6VA at 220V AC).

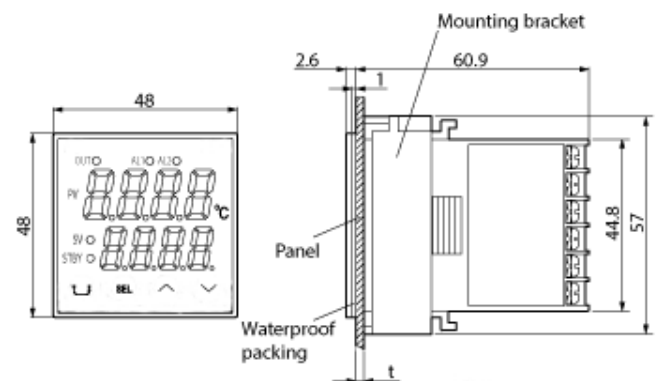
REFERENCE

SX48-1_11

- 1- RELAY OUTPUT
2- PULSE SSR OUTPUT



DIMENSIONS



Panel cut 45x45 mm

WIRING DIAGRAM

