



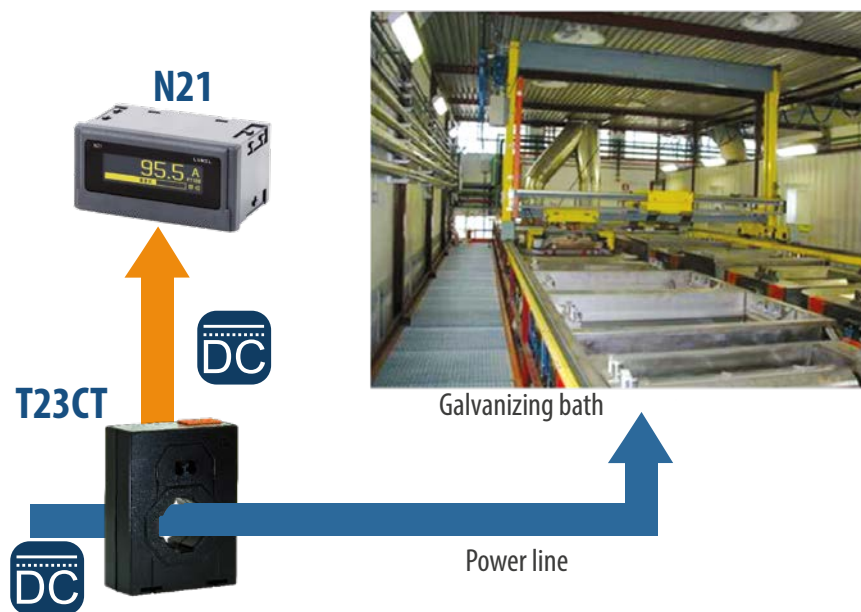
T23CT - AC/ DC TRANSUDCER

- The Hallotron transducer is intended for continuous conversion of the effective DC and AC current into a standardized DC signal.
- The transducer's output signal is galvanically isolated from the input signal.
- The transducer is mounted directly on the busbar using mounting screws, on the wall or on a 35 mm DIN rail using additional fasteners.
- The transducer housing is made of plastic. The spring clamps allow connection of wires up to 2.5 mm².



APPLICATION EXAMPLE

Current measurement in electroplating



| INPUT | OUTPUT | GALVANIC ISOLATION |
|-------|--------|--------------------|
| | | |

TECHNICAL DATA

INPUT

| Input type | Properties |
|------------------------|---|
| Hole for bar conductor | Primary current In: 50, 100, 150, 200 or 300 A a.c./d.c. (according to the ordering code) |

OUTPUT

| Output type | Properties |
|-------------|---|
| Analog | 1 output: 4...20 mA Load resistance $\leq 500 \Omega$. Response time 500 ms. Basic error 0.5 %. |

EXTERNAL FEATURES

| | | |
|---------------------|-----------------|------------------------------|
| External dimensions | 70 x 92 x 47 mm | mounting hole 92,5 x 92,5 mm |
| Busbar | 30 x 10 mm | hole diameter: 28 mm |
| Weight | 0.3 kg | |
| Protection degree | housing: IP65 | terminals: IP40 |

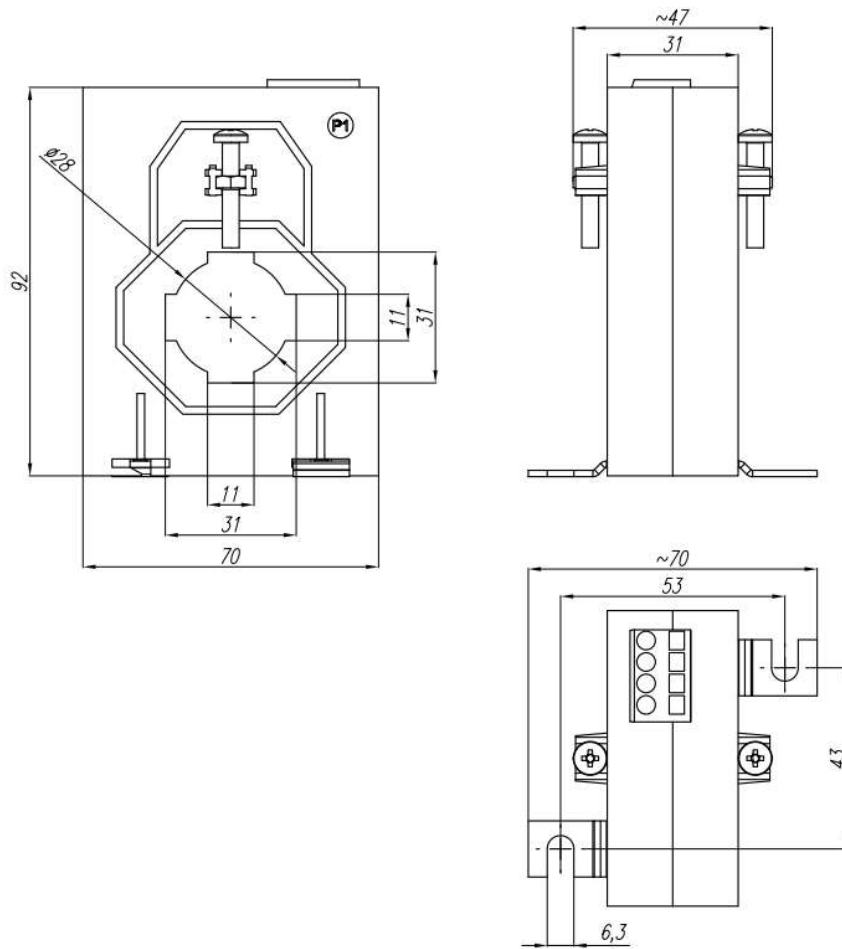
RATED OPERATION CONDITIONS

| | | |
|--|--|---|
| Supply voltage | 24 V \pm 20% d.c. | |
| Power consumption | in supply circuit: 5 W | in current circuit: ≤ 0.2 VA |
| Input signal | 0 .. 0.1..1.2 I _n | frequency d.c. or 20..45..70 Hz; sinusoidal (THD $\leq 8\%$) |
| Warm-up time | 15 min. | |
| Ambient temperature | -25 ..23..+55 °C, class K55 acc. to EN61557-12 | |
| Storage temperature | -40 ...+70 °C | |
| Humidity | 0...40...60...95% | unacceptable condensation |
| Operating position | any | |
| External magnetic field | 0...40...400 A/m d.c. | 3 A/m a.c. 50/60 Hz |
| Permissible power crest factor | 2 | |
| Additional errors in the % basic error | from changes in ambient temperature: $< 50\%$ / 10°C | for THD $> 8\%$: $< 50\%$ |

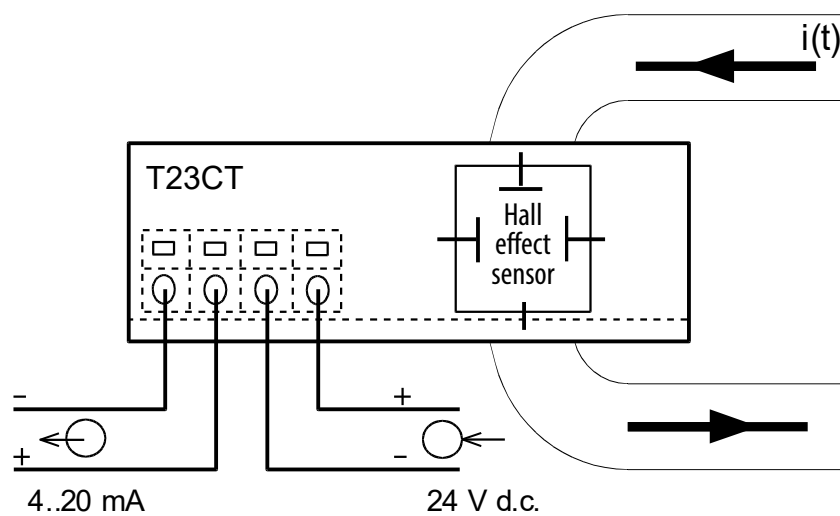
SAFETY AND COMPATIBILITY REQUIREMENTS

| | | |
|---|--|----------------------|
| Electromagnetic compatibility | noise immunity | acc. to EN 61000-6-2 |
| | noise emissions | acc. to EN 61000-6-4 |
| Isolation between busbar and other circuits | double | acc. to EN 61010-1 |
| Pollution level | 2 | acc. to EN 61010-1 |
| Installation category | III | acc. to EN 61010-1 |
| Maximal phase-to-earth voltage | <ul style="list-style-type: none"> current busbar 600 V for supply voltage and analog output: 50 V | acc. to EN 61010-1 |
| Altitude above sea level | < 2000 m | |

DIMENSIONAL DRAWING



CONNECTION DIAGRAM



ORDERING

| Transducer T23CT - | X | X | XX | M | X |
|--|---|---|----|---|---|
| Primary current In [A]: | | | | | |
| 50 | 1 | | | | |
| 100 | 2 | | | | |
| 150 | 3 | | | | |
| 200 | 4 | | | | |
| 300 | 5 | | | | |
| DIN rail mounting kit: | | | | | |
| without | | 0 | | | |
| with | | 1 | | | |
| Version: | | | | | |
| standard | | | 00 | | |
| with a graphene sensor* | | | 01 | | |
| Language: | | | | | |
| english | | | | M | |
| Acceptance tests: | | | | | |
| without extra requirements | | | | | 0 |
| with an extra quality inspection certificate | | | | | 1 |
| with a test certificate | | | | | 2 |

Order example:

The code **T23CT-4 1 00 M 0** means:

T23CT - transducer T23CT

4 - primary current 200 A,

1 - with DIN rail mounting kit,

00 - standard version,

M - english user's manual,

0 - without extra requirements.

* after agreeing with the manufacturer

ACCESSORIES:

| ACCESSORIES | | | ORDERING CODE |
|------------------------------|---|--|--------------------|
| DESCRIPTION | VIEW | | |
| DIN rail mounting kit | | | LH000-0904-130-128 |
| Busbar and wall mounting kit | <p>Thread cutting screw 4 x 45mm Wall mounting clamp Swivel Shoe for self tapping M4 screw</p> | | LH000-0904-130-142 |

For more information about DITEL products please visit our website:

www.ditel.es

Join us at Facebook!



DS-TC23CT_EN_20190417