



[DITEL: PRODUCTS: DIGITAL STARS: 816SXYC9](#)



[Print this page](#)

DESCRIPTION

Model 816S process meters can be easily scaled for direct readout in engineering units.

Provided with a fully configurable input option that incorporates selectable transducers excitation, they can be adapted to accept any voltage input.

Available options include analog or digital outputs and setpoint control which is programmable by either hidden or visible presets.

One selector provides adjustable time delay or hysteresis to limit relay action.

Fully configured at the factory, the following items remain accessible of reconfiguration:

- The input option (excitation, type of signal, zero offset, gain).
- Preset values and alarm operating modes. Time delay (0 to 15 seconds) or hysteresis levels (0 to 10 counts of L.S.D.).
- The output card for the type of signal and its range.
- Zero, span adjustments and decimal point location.

SELECTION GUIDE

816	S	X	Y	C	9
PRESET/RELAY					
NO PRESET	0				
1 VISIBLE PRESET	1				
2 VISIBLE PRESETS	2				
1 HIDDEN PRESET	5				
2 HIDDEN PRESETS	6				
INPUT TYPE					
0-1V DC		1			
0-5V DC		2			
0-10V DC		3			
1-5V DC		4			

0-100mV DC		7			
UPON REQUEST		9			
SUPPLY POWER					
115V 50/60Hz			1		
230V 50/60Hz			2		
12V DC INSOLATED			4		
24V 50/60Hz			7		
24V DC INSOLATED			8		
OUTPUTS					
NONE				0	
RS 232C				1	
BCD (OE)				2	
0-10V/0-1V				3	
0-20mA/4-20mA				4	
RS232/20mA				5	
BCD (OC)				6	
1mV/COUNT				8	
SILKSCREENED UNIT					

ORDERING EXAMPLE

8165 3249 E49: Process voltmeter series 8000 Supply power: 230V AC (50/60Hz) 1 hidden preset. Input: 0-10V DC Output: 4-20mA DC. Unit: atm

SPECIFICATIONS

INPUT SIGNAL

- Configuration differential asymmetrical
- Maximum allowable voltage $V_{max.}(IN)$
- Input impedance $> 1\text{Mohm}$

INPUT	0-1V, 0-100mV	0-5,0-10, 1-5V
$V_{max.}(IN)$	$\pm 5\text{V DC}$	$\pm 50\text{V DC}$

- Common mode max. voltage (signal/power)
AC Voltage 1000V DC or 1500V ACpp
DC Voltage $\pm 400\text{V DC}$

EXCITATION

- Selectable by jumpers +5V, +6V @ 30mA DC stabilized
+24V @ 30mA DC not stabilized

POWER

- Supply voltages
AC (50/60Hz) : 24, 115, 230V AC
DC (isolated) : 12, 24V DC
- Maximum isolation 1000V DC or 1500V ACpp

- Consumption 5W nominal

ACCURACY

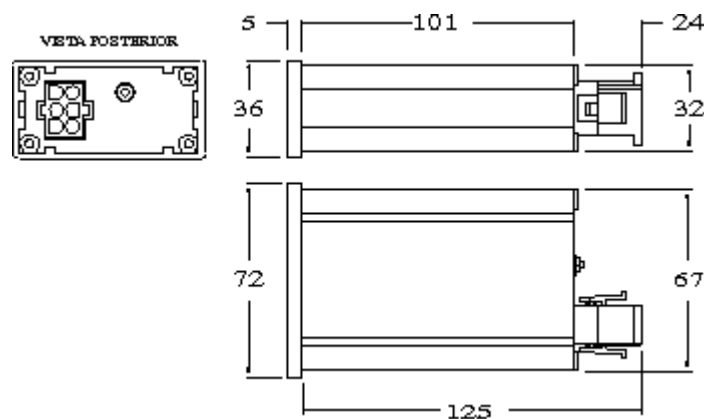
- Resolution 0.05% F.S.
- Maximum error 0.10% F.S. ± 1 digit

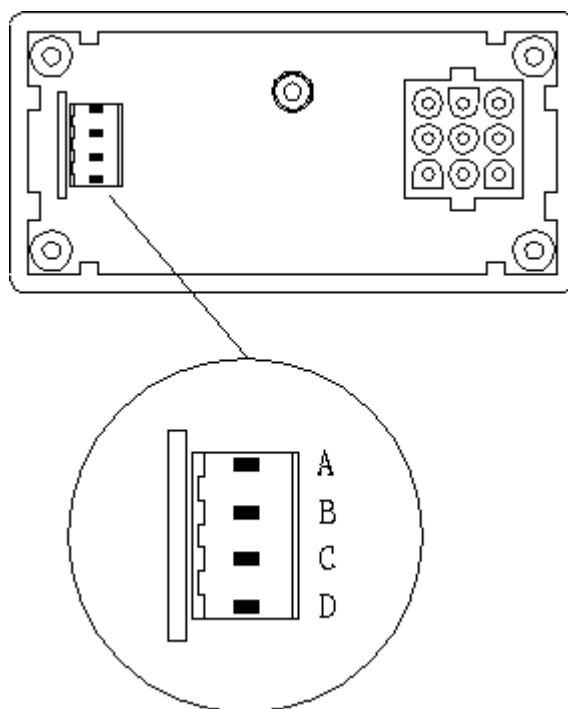
DISPLAY

- Type red LED (0.56") 14 mm. high
- Polarity automatic (\pm) sign
- Overrange 1999. (3 L.S.D. blanked)
- Reading rate 4 per second

ENVIRONMENTALS

- Operating temperature 0° to 50°C
- Storage temperature -25° to +85°C
- Relative humidity max. 95% (non condensing)
- Weight 380g
- Dimensions 96x48x110mm. (s/DIN 43700)
- Panel cutout 92x45mm. (s/DIN 43700)
- Case material 94 V-0 UL-rated polycarbonate

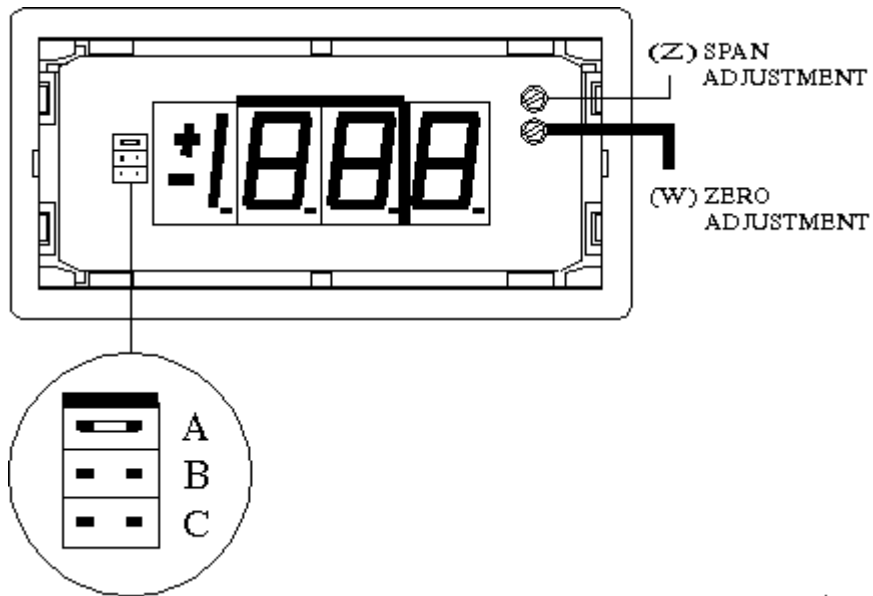
DIMENSIONS (mm)**SIGNAL CONNECTION**



2- or 3-wire connection
Negative common excit.
PIN A Signal (-) / exc. (-)
PIN B Signal (+)
PIN C Signal (+)
PIN D Excitation (+)

4-wire connection
Floating excitation
PIN A Signal (-)
PIN B Signal (+)
PIN C Excitation (-)
PIN D Excitation (+)

SETUP AND CALIBRATION

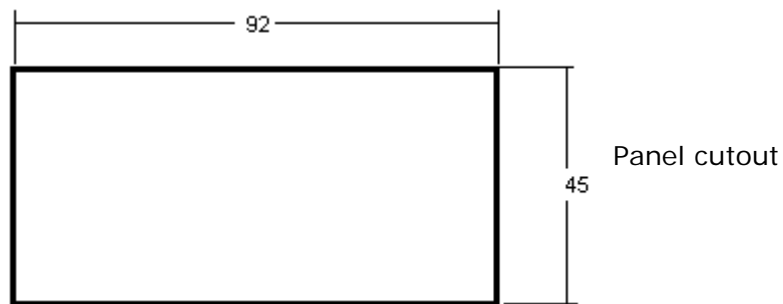


jumper	display
A	1.999
B	199.9
C	199.9
none	1999

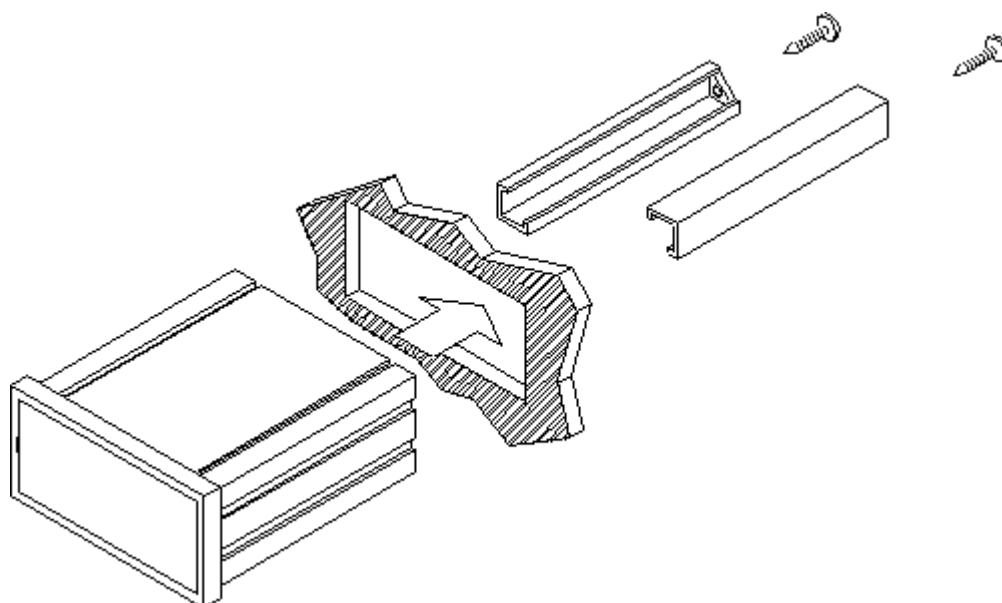
The span adjust corresponds to the potentiometer (Z) located to the upper, right side of the display. Turning clockwise increases the display reading. The adjustment margin is $\pm 20\%$ of F.S.

The zero adjust corresponds to the potentiometer (W) located below the span potentiometer. Turning clockwise increases the display reading. The adjustment margin depends on the configured display range, the minimum value is ± 150 counts.

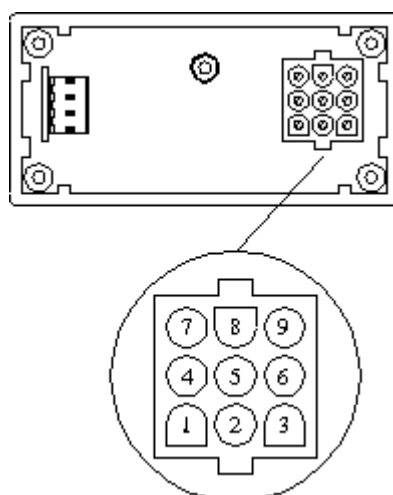
INSTALLATION



Min. thickness : 0.8mm
 Max. thickness : 10mm



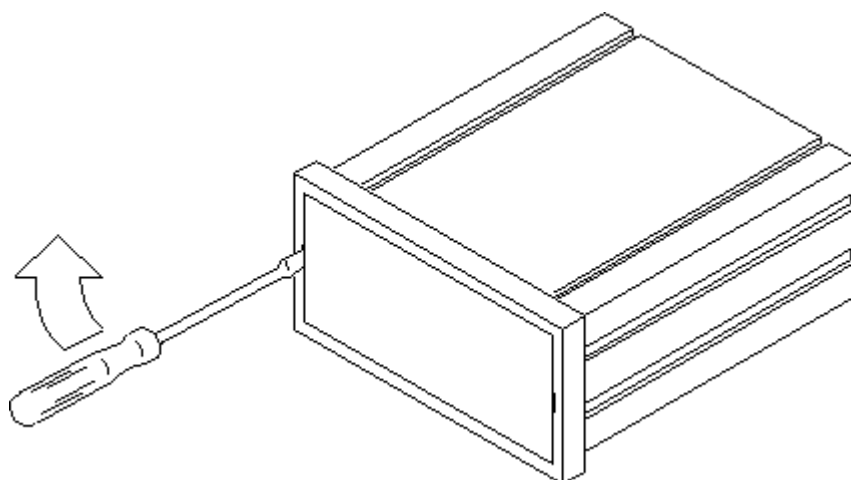
POWER CONNECTION



AC power supply
PIN 7 AC HI
PIN 9 AC LO (neutral)

DC power supply
PIN 7 DC positive (+)
PIN 9 DC negative (-)

ACCESS TO CALIBRATION



Remove lens by placing an appropriate sized screwdriver in the slot and pushing laterally as it is shown in the figure until the lips disengage.
To reinstall lens, insert it completely from one side and press from the other until it is perfectly fitted.

Warranty:

Press the icon to see it.



[Change language](#) | [Back to the menu](#)

