

**OPERATION MANUAL**  
**FOR DISPLAYS OF SERIES**  
**DT-203X, DT-105X AND DT-110X**



## Index

1. INTRODUCTION .....	1-2
2. GENERAL CHARACTERISTICS .....	2-1
2.1. Electrical characteristics of the displays .....	2-1
2.1.1. Electrical characteristics of the DT-203 displays .....	2-1
2.1.2. Electrical characteristics of the DT-105 displays .....	2-1
2.1.3. Electrical characteristics of the DT-110 displays .....	2-1
2.2. Display weight and power consumption .....	2-2
2.3. Dimensions of the DT-203, DT-105 and DT-110 .....	2-3
3. INSTALLATION .....	3-1
3.1. Power supply .....	3-1
3.2. Serial line connection .....	3-2
3.2.1. Diagram of the connection between a DT-105/110/203X display and PC computer using RS-232 .....	3-2
3.2.2. RS-485 Connection diagram between 3 DT-105/110/203X displays , and PC .....	3-3
3.2.3. RS-422 Connection between DT-105/110/203X, and a SCB41 OMRON connection kit .....	3-3
3.2.4. RS-422 connection between DT-105/110/203X, and a LK202 OMRON connection kit .....	3-4
3.2.5. RS-232 Connection between DT-105/110/203X, and Omron PLC .....	3-4
3.2.6. RS-485 Connection between DT-105/110/203X, and a Siemens PLC S7-200 .....	3-4
3.3. Characteristics of temperature & humidity probe. (Option) .....	3-5
3.4. Wiring of temperature & humidity probe (Option) .....	3-5
3.5. Reset button .....	3-5
4. OPERATION .....	4-1
4.1. Initial reset .....	4-1
4.2. Message programming .....	4-1
4.3. Set parameters .....	4-2
4.3.1. Modify parameters .....	4-2
4.3.2. Exit modify parameters .....	4-2
4.3.3. Meaning of each parameter .....	4-2
4.4. Protocols .....	4-5
4.4.1. TDL protocol .....	4-6
4.4.2. ModBus protocol .....	4-11
4.4.3. Omron protocol .....	4-17
4.4.4. ASCII protocol .....	4-20
4.4.5. S7-200 protocol .....	4-21

## 1. INTRODUCTION

The alphanumerical displays for series **DT-203X**, **DT-105X** and **DT-110X**, are industrial displays for control by **RS-232** and **RS-485** serial interface, which can be configured to work with several protocols.

The selection of the parameters and the communication protocol is done using two buttons with a system of easily programmable menu.

One of its main characteristics is the height of the characters:

**DT-203X** of **30mm**, readable from up to 15m.

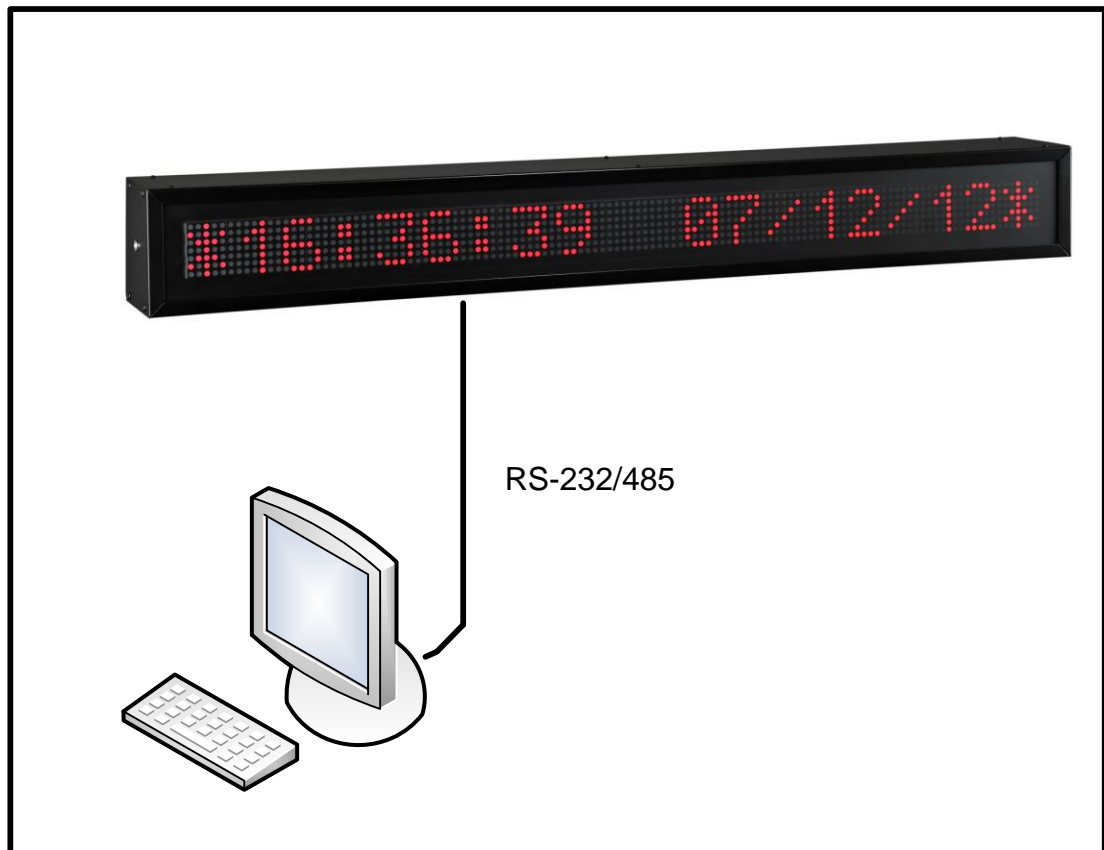
**DT-105X** of **50 mm**, readable from up to 25m.

**DT-110X** of **100 mm**, readable from up to 50m.

As with other display series, **the DT-203X, DT-105X and DT-110X** series is also available in one or **two-sided** versions, which provides multiple solutions and installation possibilities.

It is surface mounted, with fixtures to a wall or partition wall, or suspended by the side anchoring.

The application field of these displays is very wide in all types of industrial applications. They can be used to display Scada program values, counter values from a PLC, warning messages, and advertisements.



## 2. GENERAL CHARACTERISTICS.

### 2.1. Electrical characteristics of the displays

#### 2.1.1. Electrical characteristics of the DT-203 displays.

<b>Supply Voltage</b> .....	88 to 264 VAC 47 to 63Hz. Option 24VDC.
<b>Consumption</b> .....	Read paragraph 2.2.
<b>Display</b> .....	7x5 Dot matrix of 30mm high.
.....	Red Led colour. Visibility 15 meters.
<b>Parameter memory</b> .....	Eeprom.
<b>Watch calendar</b> .....	Second / Minute / Hour / Day / Month / Year.
<b>Environmental Conditions</b> .....	Operating Temperature: 0 to 50°C.
.....	Storage temperature: -10°C to 60°C.
.....	Humidity: 5-95% RH non condensing.
.....	Maximum environmental illumination: 1000 lux.
.....	Sealing: IP41.
<b>RS232/RS485 port series</b> .....	For recording the initial messages in EEPROM and activate messages from the control series device.

#### 2.1.2. Electrical characteristics of the DT-105 displays.

<b>Supply Voltage</b> .....	88 to 264 VAC 47 to 63Hz. Option 24VDC.
<b>Consumption</b> .....	Read paragraph 2.2.
<b>Display</b> .....	7x5 Dot matrix of 50mm high.
.....	Red Led colour. Visibility 25 meters.
<b>Parameter memory</b> .....	Eeprom.
<b>Watch calendar</b> .....	Second / Minute / Hour / Day / Month / Year.
<b>Environmental Conditions</b> .....	Operating Temperature: 0 to 50°C.
.....	Storage temperature: -10°C to 60°C.
.....	Humidity: 5-95% RH non condensing.
.....	Maximum environmental illumination: 1000 lux.
.....	Sealing: IP41.
<b>RS232/RS485 port series</b> .....	For recording the initial messages in EEPROM and activate messages from the control series device.

#### 2.1.3. Electrical characteristics of the DT-110 displays.

<b>Supply Voltage</b> .....	88 to 264 VAC 47 to 63Hz. Option 24VDC.
<b>Consumption</b> .....	Read paragraph 2.2.
.....	F= Number of lines
<b>Display</b> .....	7x5 Dot matrix of 100mm high.
.....	Red Led colour. Visibility 50 meters.
<b>Parameter memory</b> .....	Eeprom.
<b>Watch calendar</b> .....	Second / Minute / Hour / Day / Month / Year.
<b>Environmental Conditions</b> .....	Operating Temperature: 0 to 50°C.
.....	Storage temperature: -10°C to 60°C.
.....	Humidity 5-95% RH non condensing.
.....	Maximum environmental illumination: 1000 lux.
.....	Sealing: IP41.
<b>RS232/RS485 port series</b> .....	For recording the initial messages in EEPROM and activate messages from the control series device.

**2.2. Weight and power consumption. Exterior option use column h(VA).**

Reference	Weight (kg)	Power (VA)	Power h (VA)	Reference	Weight (kg)	Power (VA)	Power h (VA)
DT-105/1S-6	4	12	25	DT-110/1S-6	6,5	12	25
DT-105/1D-6	4	16	46	DT-110/1D-6	7,5	16	46
DT-105/1S-13	5,5	16	46	DT-110/1S-13	10,5	16	46
DT-105/1D-13	6	28	90	DT-110/1D-13	13	28	90
DT-105/1S-20	7	22	68	DT-110/1S-20	14,5	22	68
DT-105/1D-20	8	38	134	DT-110/1D-20	18	38	134
DT-105/1S-26	9	28	90	DT-110/1S-26	19	28	90
DT-105/1D-26	10	50	179	DT-110/1D-26	23,5	50	179
DT-105/1S-33	10,5	34	112	DT-110/2S-6	9	16	48
DT-105/1D-33	12	60	222	DT-110/2D-6	11,5	28	90
DT-105/1S-40	12	38	136	DT-110/2S-13	15	28	90
DT-105/1D-40	14	72	266	DT-110/2D-13	20	50	178
DT-105/2S-6	5	16	48	DT-110/2S-20	21	38	134
DT-105/2D-6	5,5	28	90	DT-110/2D-20	28	72	266
DT-105/2S-13	7	28	90	DT-110/2S-26	27	50	180
DT-105/2D-13	8	50	178	DT-110/2D-26	36,5	92	354
DT-105/2S-20	9	38	134	DT-110/3S-6	12	22	68
DT-105/2D-20	10,5	72	266	DT-110/3D-6	15,5	38	112
DT-105/2S-26	11	50	180	DT-110/3S-13	20	38	136
DT-105/2D-26	13,5	92	354	DT-110/3D-13	27	72	244
DT-105/2S-33	13,5	60	220	DT-110/3S-20	27,5	55	200
DT-105/2D-33	16	115	442	DT-110/3D-20	38,5	105	376
DT-105/2S-40	15,5	72	266	DT-110/3S-26	35,5	72	266
DT-105/2D-40	19	138	530	DT-110/3D-26	49,5	138	510
DT-105/3S-6	5,5	22	68	DT-110/4S-20	34	72	268
DT-105/3D-6	6,5	38	112	DT-110/4D-20	48,5	138	486
DT-105/3S-13	8,5	38	136	DT-110/5S-20	41	88	330
DT-105/3D-13	10	72	244	DT-110/5D-20	58	170	600
DT-105/3S-20	11	55	200	DT-110/6S-20	47,5	105	400
DT-105/3D-20	13,5	105	376	DT-110/6D-20	68,5	204	700
DT-105/3S-26	13,5	72	266	DT-110/7S-20	53,5	120	465
DT-105/3D-26	17	138	510	DT-110/7D-20	78,5	240	820
DT-105/3S-33	16	90	332	DT-110/8S-20	60	140	530
DT-105/3D-33	20,5	170	640	DT-110/8D-20	88,5	280	930
DT-105/3S-40	18,5	105	400	DT-203/2S-20	6	35	----
DT-105/3D-40	24	205	770	DT-203/2D-20	6,5	60	----
DT-105/4S-20	12,5	72	268	DT-203/2S-40	9	60	----
DT-105/4D-20	16	138	486	DT-203/2D-40	10,5	120	----
DT-105/5S-20	14,5	88	330	DT-203/4S-20	7,5	60	----
DT-105/5D-20	18,5	170	600	DT-203/4D-20	9	120	----
DT-105/6S-20	16,5	105	400	DT-203/4S-40	12	120	----
DT-105/6D-20	21,5	204	700	DT-203/4D-40	15	240	----
DT-105/7S-20	18	120	465	DT-203/6S-20	9	90	----
DT-105/7D-20	24	240	820	DT-203/6D-20	11,5	180	----
DT-105/8S-20	20	140	530	DT-203/8S-20	11	120	----
DT-105/8D-20	27	280	930	DT-203/8D-20	14	240	----

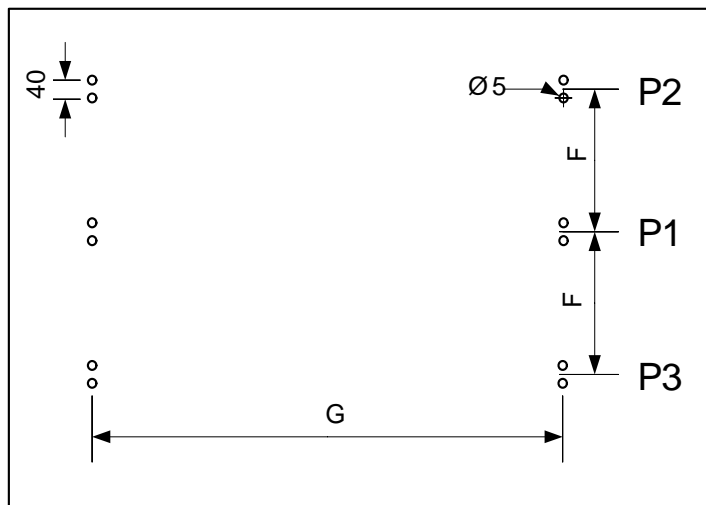
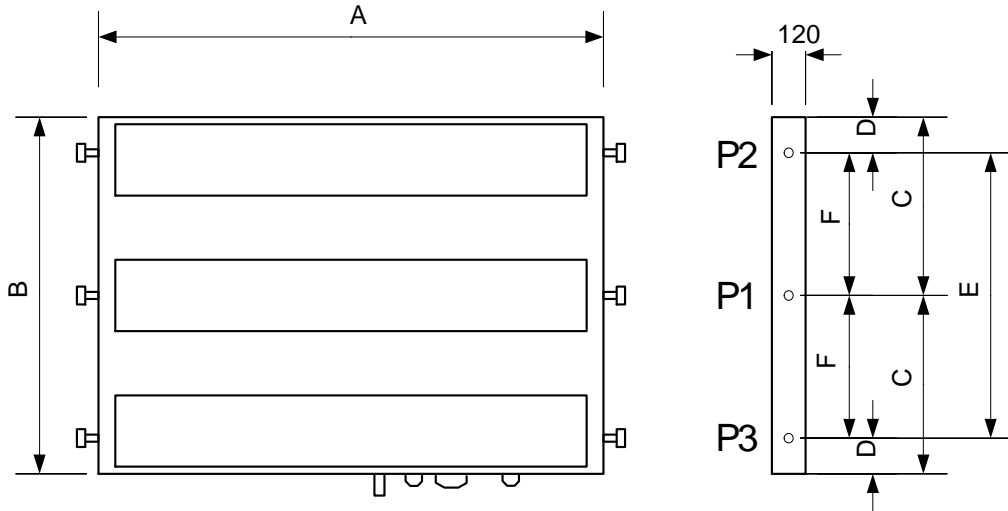
### 2.3. Dimensions of the DT-203, DT-105 and DT-110.

	A	B	C	D	E	F	G	P1	P2	P3
DT-105/1S(D)-6	375	122	109	X	X	X	358	O	X	X
DT-105/1S(D)-13	680	122	109	X	X	X	663	O	X	X
DT-105/1S(D)-20	985	122	109	X	X	X	968	O	X	X
DT-105/1S(D)-26	1290	122	109	X	X	X	1273	O	X	X
DT-105/1S(D)-33	1595	122	109	X	X	X	1578	O	X	X
DT-105/1S(D)-40	1900	122	109	X	X	X	1883	O	X	X
DT-105/2S(D)-6	375	230	112	X	X	X	358	O	X	X
DT-105/2S(D)-13	680	230	112	X	X	X	663	O	X	X
DT-105/2S(D)-20	985	230	112	X	X	X	968	O	X	X
DT-105/2S(D)-26	1290	230	112	X	X	X	1273	O	X	X
DT-105/2S(D)-33	1595	230	112	X	X	X	1578	O	X	X
DT-105/2S(D)-40	1900	230	112	X	X	X	1883	O	X	X
DT-105/3S(D)-6	375	338	X	72	186	X	358	X	O	O
DT-105/3S(D)-13	680	338	X	72	186	X	663	X	O	O
DT-105/3S(D)-20	985	338	X	72	186	X	968	X	O	O
DT-105/3S(D)-26	1290	338	X	72	186	X	1273	X	O	O
DT-105/3S(D)-33	1595	338	X	72	186	X	1578	X	O	O
DT-105/3S(D)-40	1900	338	X	72	186	X	1883	X	O	O
DT-105/4S(D)-20	985	436	X	72	292	X	968	X	O	O
DT-105/5S(D)-20	985	542	X	92	358	X	968	X	O	O
DT-105/6S(D)-20	985	648	X	112	424	X	968	X	O	O
DT-105/7S(D)-20	985	754	377	72	610	305	968	O	O	O
DT-105/8S(D)-20	985	860	430	72	716	358	968	O	O	O
DT-110/1S(D)-6	666	177	82,5	X	X	X	649	O	X	X
DT-110/1S(D)-13	1276	177	82,5	X	X	X	1259	O	X	X
DT-110/1S(D)-20	1886	177	82,5	X	X	X	1869	O	X	X
DT-110/1S(D)-26	2496	177	82,5	X	X	X	2479	O	X	X
DT-110/2S(D)-6	666	378	X	80	218	X	649	X	O	O
DT-110/2S(D)-13	1276	378	X	80	218	X	1259	X	O	O
DT-110/2S(D)-20	1886	378	X	80	218	X	1869	X	O	O
DT-110/2S(D)-26	2496	378	X	80	218	X	2479	X	O	O
DT-110/3S(D)-6	666	591	X	80	430	X	649	X	O	O
DT-110/3S(D)-13	1276	591	X	80	430	X	1259	X	O	O
DT-110/3S(D)-20	1886	591	X	80	430	X	1869	X	O	O
DT-110/3S(D)-26	2496	591	X	80	430	X	2479	X	O	O
DT-110/4S(D)-20	1886	805	403	80	646	322,5	1869	O	O	O
DT-110/5S(D)-20	1886	1018	509	80	858	429	1869	O	O	O
DT-110/6S(D)-20	1886	1232	616	80	1072	536	1869	O	O	O
DT-110/7S(D)-20	1886	1445	723	80	1286	643	1869	O	O	O
DT-110/8S(D)-20	1886	1654	830	80	1500	750	1869	O	O	O
DT-203/2S(D)-20	615	177	85	X	X	X	598	O	X	X
DT-203/2S(D)-40	1170	177	85	X	X	X	1153	O	X	X
DT-203/4S(D)-20	615	317	X	72	173	X	598	X	O	O
DT-203/4S(D)-40	1170	317	X	72	173	X	1153	X	O	O
DT-203/6S(D)-20	615	464	X	91	282	X	598	X	O	O
DT-203/8S(D)-20	615	611	X	112	387	X	598	X	O	O

See the draw on the next page

Measures in millimetres. X = Not valid for these model.

P1, P2 and P3: Anchorage point. Used = O. Not used = X. Anchorage holes position on the wall. See valid point (P1, P2 o P3) on the table in the previous page.





### 3. INSTALLATION

The installation of the **DT-203X**, **DT-105X** and **DT-110X**, is not particularly delicate, but some important considerations must be taken into account.

It must not be anchored to places subject to vibrations, nor should it be installed in places which generally surpass the limits specified in the display characteristics, both in terms of temperature and humidity.

The degree of protection of displays **DT-203X**, **DT-105X** and **DT-110X** is IP41, meaning that they are protected against penetration by solid foreign objects of a diameter of about 1mm and against the vertical fall of water droplets.

Displays **DT-203X**, **DT-105X** and **DT-110X**, should not be installed in places with illumination level higher than 1000 lux. Neither should the display be placed in direct sunlight as visibility would be lost.

In the electrical installation, proximity to lines of high intensity circulation and high voltage lines must be avoided, as well as proximity to High Frequency generators and U/F converters for motors.

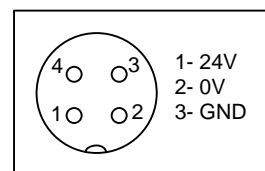
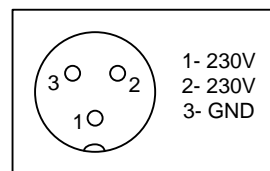
#### 3.1. Power supply.

The power supply must be 88 to 264 VAC 47 to 63Hz or 24VDC with the 24V option.

The power supply conductor section will be in line with consumption and the ground conductor will be a minimum section of 1.5mm<sup>2</sup>.

The power supply connector for 220VAC has 3 contacts and is situated in the lower part of the unit. Connect the power wires following the schema below

The power supply connector for 24VDC has 4 contacts and is situated in the lower part of the unit. Connect the power wires following the schema below



### 3.2. Serial line connection

In DT-105X, DT-110X and DT-203X displays, serial line has a double function.

1) To transfer texts into the display using a PC and TDLWin program.

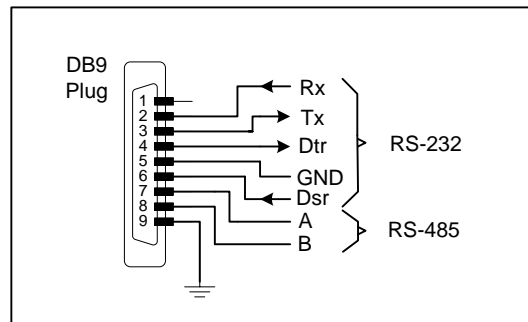
The TDLWin program is the tool you need to edit, save and transfer the messages. The TDLWin program sets the computer serial port with these parameters:

Baud rate: 9600      Parity: Even      N° of bits: 8      Stop bits: 2

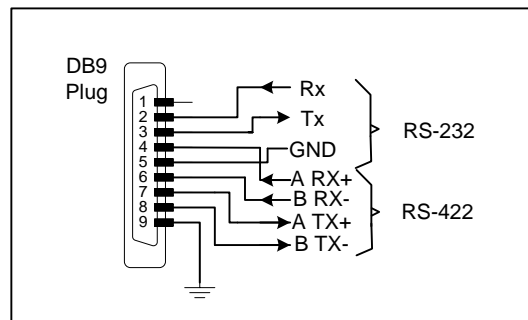
2) Communication with serial RS232/RS485 units using built-in protocols. See 4.4 "Protocols."

All displays DT105/110/203/X may use RS232 and RS485 serial lines. Both use the same connector located at the bottom of display.

The DT-105X, DT-110X and DT-203X displays use DB9 connector.



1. RS-232/RS-485 connector



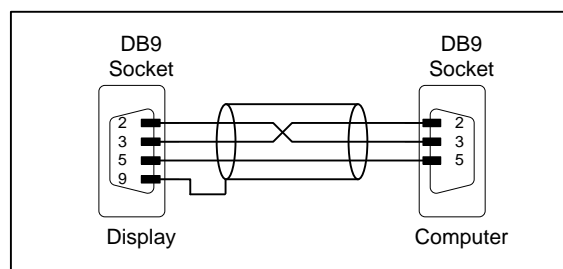
2. RS-232/RS-422 connector

#### 3.2.1. Diagram of the connection between a DT-105/110/203X display and PC computer using RS-232.

Using an RS-232 serial line, the total length must not be longer than 5m.

It is important to use shielded cable and to connect the shield to pin 9 of the DB9 connector.

The transmission line must be placed away from high power lines. The connector shown corresponds to the cable.



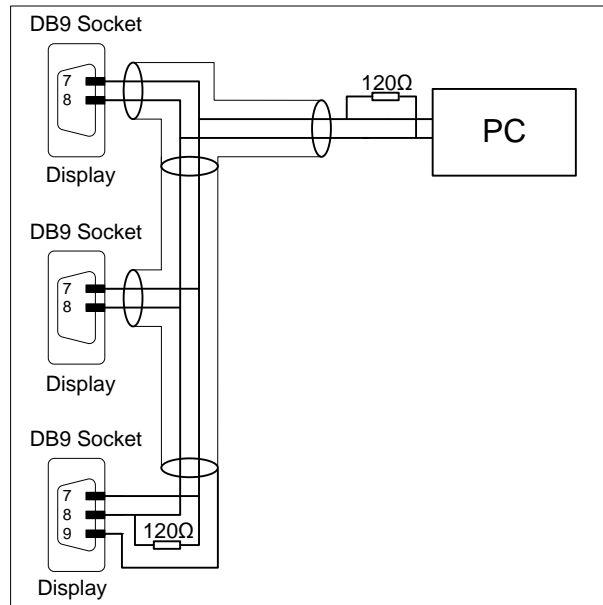
### 3.2.2. RS-485 Connection diagram between 3 DT-105/110/203X displays , and PC.

Using an RS-485 serial line, the total length must not be longer than **1000m** without amplifiers.

Is important to use twisted and shielded cable and to connect the shield to pin 9 of the DB9 connector.

The transmission line must be placed away from high power lines.

At both ends of transmission line there must be place a termination resistor of 120ohm.

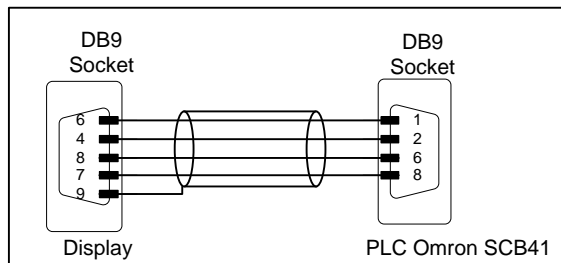


### 3.2.3. RS-422 Connection between DT-105/110/203X, and a SCB41 OMRON connection kit.

In a RS-422 connection the line length must not surpass 1000m, without amplifiers

It is necessary to use shielded pair cable and to connect, between the display and the converter, the screen to pin 9 in the DB9 connector. The transmission line must be placed away from high power lines. Branches from the network to the displays must be as short as possible. Resistors of 120 Ohm must be set at the end of the line to ensure that the network is in good working order.

In connector DB9 there is enough space to set the resistance together with the connection.

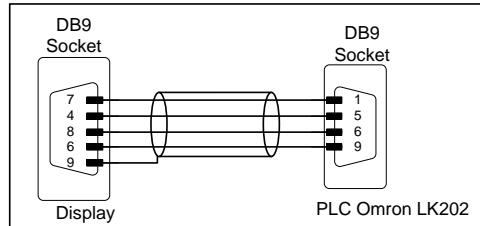


### 3.2.4. RS-422 connection between DT-105/110/203X, and a LK202 OMRON connection kit

In a RS-422 connection the line length must not surpass 1000m, without amplifiers

It is necessary to use shielded pair cable and to connect, between the display and the converter, the screen to pin 9 in the DB9 connector. The transmission line must be placed away from high power lines. Branches from the network to the displays must be as short as possible. Resistors of 120 Ohm must be set at the end of the line to ensure that the network is in good working order.

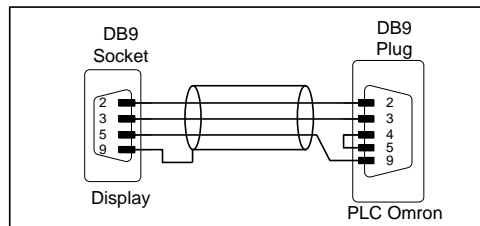
In connector DB9 there is enough space to set the resistance together with the connection.



### 3.2.5. RS-232 Connection between DT-105/110/203X, and Omron PLC.

In a RS-232 connection the line length must not surpass 5m. It is important to use shielded cable and to connect the screen to pin 9 in the DB9 connector.

The transmission line must be placed away from high power lines. The connector type (plug or socket) corresponds to the cable.



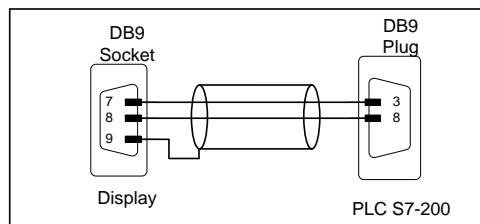
### 3.2.6. RS-485 Connection between DT-105/110/203X, and a Siemens PLC S7-200

In a RS-485 connection the line length must not surpass 1000m, without amplifiers

It is necessary to use shielded pair cable and to connect the screen to pin 9 in the DB9 connector. The transmission lines must be placed away from high power lines.

Resistors of 120 Ohm must be set at the end of the line to ensure that the network is in good working order.

In connector DB9 there is enough space to set the resistance together with the connection.



### 3.3. Characteristics of temperature & humidity probe. (Option)

#### Relative humidity

Resolution .....	Typical 1%.
Accuracy .....	$\pm 3,5\%$ between 30% y 70%.
Warm-up time .....	4s.

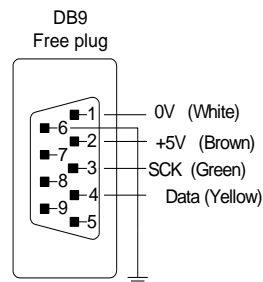
#### Temperature

Resolution .....	Typical 0,1°C.
Accuracy .....	$\pm 0,5^\circ\text{C}$ at 25°C.
Warm-up time .....	20s.
Range.....	From $-20^\circ\text{C}$ to $+80^\circ\text{C}$ .

### 3.4. Wiring of temperature & humidity probe (Option)

The temperature & humidity probe is delivered with 5m cable and a Sub-D9 connector ready to use.

The wiring of connector probe is shown in the diagram (cable connector).



### 3.5. Reset button

If the computer has been out of power for many days, the battery may be discharged. If, when the power is restored, the battery is not fully charged, it may be necessary to force the device to be reset. The reset button is next to the power connector. The display must be connected to the power supply for the reset to be operative.



## 4. OPERATION

### 4.1. Initial reset.

The series DT105/110/203/X displays are industrial displays controlled by serial line RS-232 or RS-485, from 1 to 8 rows and 1 or 2 display sides.

Before connecting the display to the power supply, it must be checked that all connections have been set properly and that the display has been firmly fixed. Every time the display is connected to the power supply, there is an initial reset, which check all the points of the display

Following the reset, the display reads the message memory and initialises the messages table. The world «INICI» is shown until the display is prepared to receive messages. When the initialisation process is finished, the display is ready to receive data. While waiting for the first message the display shows a programmed message depending on the protocol.

- TDL protocol: All programmed messages are shown.
- ModBus protocol: Message 0 is shown.
- Omron protocol: Message 0 is shown.
- ASCII protocol: Message 0 is shown.
- S7-200 protocol: Message 0 is shown.

### 4.2. Message programming

In order to program the messages in the memory Eeprom, a PC and the TDL software are necessary. TDL is software specifically designed to program the messages into the display. See the TDL Manual to know how the TDL works.

To program the messages, the display must be configured with the following parameters: (See 4.3 “Set parameters.”).

Display Address = 000	Protocol = TDL	BaudRate = 9600	Data length = 8
Parity = Par	Serial input = Depends on serial line (RS-232 or RS-485).		

**The program time could take some minutes.**

### 4.3. Set parameters.

Before using the display you must set the parameters.

To set the parameters, the display has a pair of pushbuttons located at the bottom of the case. The menu is in four languages.

The following parameters can be modified:

- 1- Language
- 2- Address.
- 3- Protocol.
- 4- Parameter Baud Rate
- 5- Data length.
- 6- Parity.
- 7- Stop bits.
- 8- Serial input.
- 9- Test serial line.
- 10- Date
- 11- Hour.
- 12- Connectors position.
- 13- Scroll display speed.
- 14- Exit.

Protocols Omron and S7-200 contain more parameters.

#### 4.3.1. Modify parameters

To go into modify parameters menu, you should push the advance pushbutton for more than three seconds, labelled with «\*». After the 3 seconds, the display shows the first parameter in flashing mode.

From this point, there are two options:

##### 1- Display the parameters value.

By pushing advance (“\*”) you may see the parameters value. The increase pushbutton, labelled «+», lets you modify the parameter.

To select the parameters name push the advance pushbutton («\*»).

##### 2- Select another parameter.

While the parameter name is flashing, every time you push the increase pushbutton («+») you select a new parameter.

#### 4.3.2. Exit modify parameters

To exit the modify parameters menu, select the parameter «END» and then push advance «\*».

#### 4.3.3. Meaning of each parameter.

##### 4.3.3.1. Parameter Language.

The language menu. There are four languages available: **Catalan**, **Spanish**, **French** and **English**.



---

#### 4.3.3.2. Parameter Address

---

The network display address. Selectable between 0 and 299. Depends on each protocol.

---

#### 4.3.3.3. Parameter Protocol

---

The selected protocol. The protocols available are **TDL, Modbus, Omron, ASCII and S7-200.**

---

#### 4.3.3.4. Parameter Baud Rate

---

Selects the transmission baud rate. There are two baud rates available: **9600** and **19200.**

---

#### 4.3.3.5. Parameter Data length

---

Selects the transmission data length. Select **7** or **8** bits.

---

#### 4.3.3.6. Parameter Parity

---

Selects the transmission parity. Select **Even, Odd** or **None.**

---

#### 4.3.3.7. Parameter Stop Bits

---

Selects the transmission number of stop bits. Select **1** or **2.**

---

#### 4.3.3.8. Parameter Serial input

---

Selects the transmission type of serial line: **RS-232** or **RS-485/RS-422.**

---

#### 4.3.3.9. Parameter TEST SERIAL L.

---

Selects the transmission test of serial line. There are three levels :

**0** = No test

**1** = Test transmission errors

**2** = Test transmission errors and display address error.

---

#### 4.3.3.10. Parameter DATE

---

Allows you to modify the display date.

---

#### 4.3.3.11. Parameter TIME

---

Allows you to modify the display time.

---

**4.3.3.12. Parameter POS. CONNECTORS or CON**

---

Selects the power and Ethernet connectors' position. Depending on the installation, it may be more convenient for the connectors to come out at the top or at the bottom of the display. This parameter reverses the text if the display is installed in reverse position.

---

**4.3.3.13. Parameter SCROLL. DISPLAY or SDI.**

---

Allows the user to adjust the scrolling speed of text in messages that have more characters than the display. Example text of 21 characters in the 20-character display.

---

**4.3.3.14. Parameter End**

---

To exit modify parameter menu, push advance ("\*\*").

#### 4.4. Protocols.

Protocols are the procedures used by displays to communicate with other equipment. Each protocol has its own specifications explained in detail in the following paragraphs.

Definitions of words used in protocol descriptions:

**Message:** Alphanumerical text of one or more lines (according to display model). For each message, a line must be static or dynamic. In static message, line text is equal to or shorter than the number of characters of on a line. Dynamic messages have more characters than the line and are showed scrolling from right to left.

**Message number:** The number that identifies the message. The valid range is 0 to 512.

**Variable:** A variable is a group of characters the value of which is set in execution time. At edition time, you must reserve a place for each character variable. A message may display a maximum of 16 variable characters per line. An 8 line display may display 128 characters.

Inside each line, the 16 variable characters can be grouped as you want. 16 variables of 1 character or 1 variable of 16 characters.

Examples:

[v] = Character variable.

TOTAL= [v][v][v] 1 Variable of 3 characters.

PARTIAL= [v][v][v] TOTAL= [v][v][v][v][v]

2 Variables. 1 of 3 characters and 1 of 5 characters

**Interface:** Is the hardware link between equipment. There are two interfaces RS-232 and RS-485. Both interfaces support all the protocols.

Displays DT-105/110/203/X have 5 protocols implemented in all models.

1- TDL Protocol. Developed for this display products.

2- Modbus Protocol. Industrial protocol.

3- Omron Protocol. Protocol for Omron products.

4- ASCII Protocol. This protocol uses ASCII characters and is easy to implement.

5- S7-200 Protocol. Protocol for Siemens S7-200 PLC's.

In this paragraph, the different protocols will be explained, as well as the programming of the displays through them. The formats of values of the numbers and characters are written in this manual are:

- When telling about a hexadecimal number, this will be followed by an "h".
- When telling about a decimal number, this will be followed by a "d".
- When telling about a binary number, this will be followed by a "b".
- When telling about an ASCII character, this will be explained in the context.

As an example, the X ASCII character can be explained as 58h, 88d or 1011000b, as needed in the moment. Number 15 ASCII can be seen as 31h 35h, 49d 53d or 110001d 110101d.

#### 4.4.1. TDL protocol.

The TDL protocol must be selected to save new messages into the memory.

After power on, the display always shows all messages stored in the memory in **Continuous** mode. The **Continuous** mode is reset when the serial line sends a message to display. In **Message** mode, the display only shows the last message received. To return to continuous mode, see 4.4.1.8.4 “Set CONTINUOUS mode”.

Every time the display receives a message with its address, the display returns a response message. This rule is not valid when the message received has address 0 and the address display is > 0. Messages with address 0 are used to send the same message to all displays in a network.

**If display address and message address are both 0, the display returns a response message.**

The block structure is:

00h 02h	Address	Bytes	Data	00h 0Dh	CRC	00h 03h
---------	---------	-------	------	---------	-----	---------

<b>00h 02h:</b>	Start block. Always 00h 02h.
<b>Address:</b>	Display address. Address range 00h to FFh.
<b>Bytes :</b>	Number of bytes.
<b>Data:</b>	Message send to display.
<b>00h 0Dh:</b>	End of data.
<b>CRC :</b>	Crc value.
<b>00h 03h:</b>	End block. Always 00h 03h

##### 4.4.1.1. Start block.

**2 bytes.**

Always “00h 02h”.

##### 4.4.1.2. Address.

**1 byte.**

The address display in the network. Valid range between 00h and FFh.

The display and the message address allows transmissions to be controlled on the network between one master and up to 255 slaves. The display always acts a slave. The display only responses if it has its own address. The display only shows the message if it has its own address or it has the address 0.

Message Address	Display Address	Display Response	Display Message
0	0	YES	New message
2	0	NO	No change
0	1	NO	New message
3	4	NO	No change
3	3	YES	New message

##### 4.4.1.3. Number of bytes.

**1 byte.**

Is the number of bytes which forms the block of information. It begins to count from the byte of the address number to the second byte of CRC, both included. The value of the number of bytes must be, in hexadecimal type, between 6h and 250h.

#### 4.4.1.4. Data.

The Data consists of the message texts, the control characters and the error codes. The area of data must be started by some control characters, which will define the kind of information which follows.

#### 4.4.1.5. End of data

##### 2 bytes.

It is always "00h 0Dh".

#### 4.4.1.6. CRC

##### 2 bytes.

Check redundancy code. The first byte is the result of calculating the OR EXCLUSIVE function of odd bytes. It begins from the terminal number to end of data, both included. The second byte is the result of calculating the OR EXCLUSIVE function of even bytes. It begins from the number of bytes to end of data, both included.

#### 4.4.1.7. End of block.

Always "00h 03h".

#### 4.4.1.8. Data field structure

##### 4.4.1.8.1. Displaying a message. (ONE LINE DISPLAY)

The structure of the data field is:

Start block	First line indicator	Message in ASCII characters
00h 1Bh	06h	"MESSAGE"

##### Beginning a message: 2 bytes.

It is "00h 1Bh". It must be placed at the beginning of the data block.

##### 1st line indicator: 1 byte.

It must always be "06h" in hexadecimal. This information is not useful in these kinds of displays, but it must be included to maintain the compatibility with the software of other displays.

##### Text

The text to be displayed must be in ASCII code. There are several options to be taken within a text:

"00h 08h" beginning of blinking, in the following characters.

"00h 09h" ending of blinking.

"00h 15h" displaying the date, needs 8 characters.

"00h 16h" displaying the hour and minutes. It needs 5 characters

"00h 18h" displaying the hour, minutes and seconds. It needs 8 characters.

The date and time can be displayed in any place in the text. Date and time take characters of variables, and so it consequently, it must be taken into account that in a message, the amount of characters reserved for variables can just take 16 characters.

##### Example:

Text of display ="PQRSTUV"

Transmission block:

00h 02h 00h 10h 00h 1Bh 06h 50h 51h 52h 53h 54h 55h 56h 00h 0Dh 51h 06h 00h 03h
---

00h 02h Start  
 00h Display num. 0  
 10h Number of bytes in hexadecimal. (16 decimal)  
 00h 1Bh Beginning a message.  
 06h Indicates the line number  
 50h 51h 52h 53h 54h 55h 56h Text "PQRSTU" in ASCII characters  
 00h 0Dh Indicates end of data.  
 51h 06h CRC  
 00h 03h End of block.

#### 4.4.1.8.2. Displaying a message. (MORE THAN ONE LINE)

The structure of the data zone must be:

Start block	First line indicator	Text in ASCII characters	New line indicator	Text in ASCII characters
00h 01Bh	06h	"TEXT"	00h 14h n	"TEXT"

##### Beginning a message: 2 bytes

It must always be "00h 1Bh". It must be set once, at the beginning of every block of data.

##### Indicator 1st line

Code "06h", steady.

##### "Text of line 1"

##### Indicator 2nd line

It must always be "00h 14h" and the line number. Total 3 bytes

##### "Text of line 2"

The text to be displayed must be in ASCII code. There are several options within a text:

"00h 08h" beginning of blinking, in the following characters.

"00h 09h" ending of blinking.

"00h 15h" displaying the date. It needs 8 characters.

"00h 16h" displaying the hour and minutes. It needs 5 characters.

"00h 18h" displaying the hour, minute and seconds. It needs 8 characters.

"00h 22h" Brightness adjust. To adjust the display brightness. Valid range is from 1 to 8 in ASCII code hexadecimal.

Example: 00h 22h 38h Adjust highest brightness.

##### ONLY WITH HUMIDITY AND TEMPERATURE OPTION

"00h 1Eh" displaying temperature in Celsius. It needs 6 characters.

"00h 1Fh" displaying temperature in Fahrenheit. It needs 6 characters.

"00h 21h" displaying relative humidity. It needs 2 characters.

The date and time can be displayed from any place in the Text. It takes characters of variables. The amount of characters reserved for variables can just take 16 characters per line.

Example:

DISPLAY Num. = 2  
 Text line 1 = "LARTET"  
 Text line 2 = "123456"  
 Transmission block:

00h 02h 02h 18h 00h 1Bh 06h 4Ch 41h 52h 54h 45h 54h 00h 14h 02h 31h 32h 33h 34h 35h  
 36h 00h 0Dh 66h 67h 00h 03h

00h 02h	Start.
02h	Display num. 2
18h	Number of bytes in hexadecimal. (24 decimal)
00h 1Bh	Beginning a message.
06h	It points to the number of line 1
4Ch 41h 52h 54h 45h 54h	Text "LARTET" in ASCII characters
00h 14h 02h	It points to the number of line 2
31h 32h 33h 34h 35h 36h	Text "123456" in ASCII characters
00h 0Dh	It indicates end of data.
66h 67h	CRC
00h 03h	End of block.

#### 4.4.1.8.3. Updating Date and Hour of Clock Calendar.

The Clock Calendar can be updated by external push buttons or via software. To modify the date and time it is necessary to send the data, in ASCII, except for the control byte , with the following structure.

Set time and date	Day	Month	Year	Blank space	Hour	Minutes
00h 1Ch	DD	MM	AA		HH	MM

The seconds are reset when the time is updated.

**Example:**

DISPLAY Num. = 0  
 Day 07/11/01  
 Hour 16:08  
 Transmission block:

00h 02h 00h 13h 00h 1Ch 30h 37h 31h 31h 30h 31h 20h 31h 36h 30h 38h 00h 0Dh 12h 39h  
 00h 03h

00h 02h	Start.
00h	Display num. 0
13h	Num. of bytes in hexadecimal. (19 decimal)
00h 1Ch	Updating date and time.
30h 37h	Day 07 in ASCII characters.
31h 31h	Month 11 in ASCII characters.
30h 31h	Year 2001 in ASCII characters.
20h	Space in characters ASCII.
31h 36h	Hour 16 in ASCII characters.
30h 38h	Minutes 08 ASCII in characters.
00h 0Dh	End of data.
12h 39h	CRC

00h 03h                      End of block.

#### 4.4.1.8.4. Set CONTINUOUS mode

In CONTINUOUS mode, the displays shows sequentially all the messages stored in EEPROM. CONTINUOUS mode is set automatically on the display, after reset, unless the address of the display is 0. When a single message is sent via serial line, the CONTINUOUS mode is reset and the message received will be displayed. To set the display to CONTINUOUS mode from serial line a single control code must be sent (00h 1Dh), in the data area into the transmission block.

##### 2 bytes.

It must always be "00h 1Dh".

##### Example.

DISPLAY Num. = ALL displays

Transmission block:

00h 02h 00h 08h 00h 1Dh 00h 0Dh 00h 18h 00h 03h
---

00h 02h	Header.
00h	Display numumber 0. All displays
08h	Number of bytes in hexadecimal. (16 decimal)
00h 1Dh	Reset presentation mode.
00h 0Dh	End of data.
00h 18h	CRC
00h 03h	End of block

#### 4.4.1.9. Display response.

After receiving a transmission block , the display returns a response block of conformity or error. The response block is:

Start block	Address	Byte number	Data	End of data	CRC	End of block
00h 02h	Address	08h	05h xxh	00h 0Dh	CRC	00h 03h

Response codes:

"05h 00h" No error.

"05h 01h" Communication error.

"05h 02h" CRC error.

"05h 03h" Data block error.

"05h 04h" Error. It does not find data end.

"05h 05h" Error. The number of bytes is incorrect.



#### 4.4.2. ModBus protocol.

This protocol follows the specification of Modbus Protocol RTU mode. This industrial protocol is widely used and easy to adapt to a lot of equipment.

The transmission line may be RS-232 or RS-485/RS-422. Using RS-232 the maximum length is 5m. The transmission line is selected by modifying the parameters. See 4.3.1 “Modify parameters”.

Modbus protocol uses blanks to control the start and end of block. A blank is the time necessary to transmit 3 characters. Each Baud Rate has a blank time. At the end of block, no equipment may transmit until blank time is elapsed.

While ModBus protocol is selected the display works a slave. After each correct block received the displays sends a response block.

Transmission block

Address	10h	Control	First	Words High	Words Low	Bytes	Data	CRC Low	CRC High
---------	-----	---------	-------	---------------	--------------	-------	------	------------	-------------

**Address:** The display address

**10h:** ModBus code. Always 10 in hexadecimal.

**Control:** Control mode and line number.

**First:** Position of first character sent.

**Words high and Words low:** Number of words sent into data.

**Bytes:** Number of bytes sent into data.

**Data:** Data sent to display.

**CRC low and CRC high:** CRC value.

The ModBus protocol allows you to work in two different modes:

- 1- **Direct control:** Its necessary to send all characters by the serial line.
- 2- **Code control:** Its necessary to send the message number. Use TDL software to edit messages and store them in Eeprom display's memory.

##### 4.4.2.1. Display address.

**1 Byte.**

It is the number that identifies the display on network. Valid range between 00h and FFh. To modify the display address see 4.3.1 “Modify parameters”.

##### 4.4.2.2. MODBUS code: write n words.

**1 Byte.**

It is always the value of decimal. 10h.

##### 4.4.2.3. Control

**1 Byte.**

This byte performs more than one function. If D7 bit is 0, all the characters in ASCII code must be sent to display. Bits D0-D3 specify in which line the text will begin.

If D7 bit is 1, the number of message must be sent to display. Use TDL software to edit messages and store them in Eeprom display's memory.

D7	D6	D5	D4	D3	D2	D1
----	----	----	----	----	----	----

- Direct Control:** D7 = 0. Send all the characters in ASCII code.  
D0-D3 = Number of first line to place the text received.
- Code Control:** D7 = 1. Send the number of message.

#### 4.4.2.4. First.

##### 1 Byte.

##### Direct control:

The position of the first character is sent to the display. Position 1 is the one placed on the left side of the display. The character placed on the left of the first character should not be modified.

Position =1: Only the new text which has been sent is displayed.

Position >1: The current text is modified and it begins with the position sent. If the characters just sent modify other characters belonging to the previous message, new characters make the previous message longer. If the amount of characters sent is lower than the amount of characters remaining from the first modified character to the end of the previous message, there are 2 possibilities:

A) The sent text ends with 0Dh code: What remains from the previous message is not deleted and it is not modified.

B) The sent text does not end with 0Dh code. What remains from the previous message is not deleted and it is not modified.

Example 1: present text: «ABCDEFGHJKLMN»

Position of the first character: 4

Text sent: «1234»

Final text: «ABCD1234HIJKLMN»

Example 2: present text: «ABCDEFGHJKLMN»

Position of the first character: 4

Text sent: «1234+ (0DH) = ASCII: 31 32 33 34 OD

Final text: «ABC1234»

**Code control:** This byte is not used on code control.

#### 4.4.2.5. Number of words.

##### 2 Bytes.

It is the number of words sent on network. It is to monitor the block of information received.

#### 4.4.2.6. Number of characters.

##### 1 Byte.

It is the number of characters of the message. It has to be an even number.

#### 4.4.2.7. Data.

##### Minimum 4 Bytes.

See 4.4.2.9 "Structure of data block."

#### 4.4.2.8. CRC.

##### 2 Bytes.

It is the result from CRC according to J-BUS/MODBUS protocol. The CRC is made of all characters except the resulting CRC using the following process.

1. Assign the value FFFFh to CRC register.
2. Make an exclusive OR between the CRC register and the first byte, store the result in CRC register.
3. Right rotation of CRC register. Copy LSB to carry bit and set MSB to 0.
4. If Carry bit is equal to 1 make an exclusive OR between CRC register and the value A001h, store the result in CRC register.
5. Repeat point 3 and 4 8 times.
6. Repeat points 2 to 5 until all the bytes are complete.
7. Assign the result to CRC high and CRC low.

#### 4.4.2.9. Structure of data block.

##### 4.4.2.9.1. Direct control.

Data to be sent must be set in ASCII code and will be displayed on the programmed line on byte 3 (4 least significant bits Line number / control types).

The control codes to be sent are:

- 0Ah: 0Ah control codes force a change of line on multiline displays. If the new text is shorter than the previous one, the characters remaining from the previous message will not be deleted.
- 0Ch: 0Ch control codes force a change of line on multiline displays. If the new text is shorter than the previous one, the characters remaining from the previous message will be deleted.

Example: Present text «ABCDEFGHJIJ»  
 Send text «123456» + code 0Ah. Final text «123456GHJIJ»  
 Send text «123456» + code 0Ch. Final text «123456»

- 00h 08h: It makes the characters flash
- 00h 09h: It makes the characters stop flashing.
- 00h 15h: Displaying the date.
- 00h 16h: Displaying time (hours and minutes)
- 00h 18h: Displaying time (hours, minutes and seconds).
- 00h 1Ch: Time set.
- 00h B6h: Up arrow.
- 00h B7h: Down arrow.
- 00h B8h: Short right arrow.
- 00h B9h: Short left arrow.
- BCh BAh: Long right arrow.
- BBh BDh: Long left arrow

Format: ddmmaa\_hhmm (in ASCII characters)

Example: Set date on 18/04/2000 and at 10:34

Display address = 2.

Data to send:

02h 10h 00h 01h 00h 06h 0Ch 1Ch 31h 38h 30h 34h 30h 30h 20h 31h 30h 33h 34h CRC
---

- 0Ah or 0Ch characters forces a change of line on multilinear displays. It allows all the lines from a single display to be sent in just one data block.  
 Example:       Display of 8 lines. Address 2  
                   Sent code: 02h 10h 04h 01h 00h 04h 08h 31h 32h 33h 34h 0Ah  
                   41h 42h 43h CRC  
                   Modify line 4 to: 1234, modify line 5 to: ABC.  
                   The rest of lines are not modified.
- Code 00h is transparent and therefore any character will not be displayed
- 00h 22h Brightness adjust. To adjust the display brightness. Valid range is from 1 to 8 in ASCII code.  
 Example: 00h 22h 38h Adjust highest brightness.

#### ONLY WITH HUMIDITY AND TEMPERATURE OPTION

- 00h 1Eh: displaying temperature in Celsius. It needs 6 characters.
- 00h 1Fh: displaying temperature in Fahrenheit. It needs 6 characters.
- 00h 21h: displaying relative humidity. It needs 2 characters.

#### 4.4.2.9.2. Control by code.

##### Message without variables.

The message number is in the two first bytes of the data block.

Data block. Minimum 4 bytes.

B1	B2	B3	B4
----	----	----	----

B1: MSB of message number. In hexadecimal.

B2: LSB of message number. In hexadecimal.

B3: Always 0.

B4: Always 0.

##### Message with variables.

The message number is the two first bytes of the data block. See Message without variables.

The position and values of variables follow the message number with this format:

Pv	Nc	Dv
----	----	----

Pv: Position of variable.

Nc: Format and character number.

Dv: Variable data.

**Pv**: Position of variable. 1Byte.

Every line can display up to 16 variable characters.

A display of eight lines can display up to 128 variable characters. (16 per line)

The variable positions are:

Line	Position in decimal	Position in hexadecimal
1	1-16	1h-10h
2	17-32	11h-20h
3	33-48	21h-30h
4	49-64	31h-40h
5	65-80	41h-50h
6	81-96	51h-60h
7	97-112	61h-70h
8	113-128	71h-80h

A variable position is independent of used variables, this means that although no variable is used in line 2, the first variable on line 3 is in position 33.

**The variable position must be in hexadecimal code.**

Nc: Format and character number. 1Byte.

D7	D6	D5	D4	D3	D2	D1
----	----	----	----	----	----	----

D7-D5 Variable format. It means how to send the variable: In ASCII, in hexadecimal

Bits D7-D5 = 000      Variable in ASCII code.  
Needs 1 variable character when the message is edited.

Example:

Variable sent: 42h. Value displayed: B

Bits D7-D5 = 001      Variable in 1 byte hexadecimal. Displayed in hexadecimal.  
Needs 2 variable characters when the message is edited

Example:

Variable sent: 87h. Value displayed: 87

Bits D7-D5 = 010      Variable in 1 byte hexadecimal. Displayed in decimal.  
Needs 3 variable characters when the message is edited

Example:

Variable sent: 87h. Value displayed: 135

Bits D7-D5 = 011      Variable in 2 byte hexadecimal. Displayed in hexadecimal.  
Needs 4 variable characters when the message is edited

Example:

Variable sent: 8765h. Value displayed: 8765

Bits D7-D5 =100      Variable in 2 byte hexadecimal. Displayed in decimal.  
Needs 5 variable characters when the message is edited

Example:

Variable sent: 8765h. Value displayed: 34661

In Bits D4-D0 must be the number of characters sent.

**Dv:** Variable data.

The data variable must be sent using the data format selected in byte Nc.

Because the data block must be an even number of bytes, you could use character 00h to complete the data block.

To send variables data of more than one line you could repeat the structure

Pv	Nc	Dv
----	----	----

as many times as you need.

#### 4.4.2.10. Response block.

After a transmission block is received, a response block is sent with the result.

**No error:.**

Address	10h	Control	First	Words High	Words Low	CRC Low	CRC High
---------	-----	---------	-------	---------------	--------------	------------	-------------

**Address:** The display address

**10h:** ModBus code. Always 10 in hexadecimal.

**Control:** Control mode and line number.

**First:** Position of first character send.

**Words high and Words low:** Number of words sent into data.

**CRC low and CRC high:** CRC value.

**Error:**

Address	90h	Error Code	CRC Low	CRC High
---------	-----	---------------	------------	-------------

**Address:** The display address

**90h:** ModBus error code. Always 90h.

**Error code:** The valid error codes are:

02h = Crc error.

03h = Data block error.

**CRC low and CRC high:** CRC value.

### 4.4.3. Omron protocol.

Omron protocol supports two kinds of messages. Messages with and without variables. With this protocol the display may control as many as 6 messages without variables and 4 messages with variables together. All messages are shown sequentially.

To know what message should be shown, the display reads a table of 18 DM's from the PLC memory. The **first DM number** must be configured into the **DM parameter**. This parameter is specific for this protocol.

The OMRON Hostlink protocol does not work with RS-485, but with RS-422.

The next table shows the meaning of each DM

DM Number	
DM n	Number of Message without variables 1
DM n+1	Number of Message without variables 2
DM n+2	Number of Message without variables 3
DM n+3	Number of Message without variables 4
DM n+4	Number of Message without variables 5
DM n+5	Number of Message without variables 6
DM n+6	Number of Message with variables 1
DM n+7	Number of Message with variables 2
DM n+8	Number of Message with variables 3
DM n+9	Number of Message with variables 4
DM n+10	Number of DM where variable 1 is located
DM n+11	Total number of DM's of variable 1
DM n+12	Number of DM where variable 2 is located
DM n+13	Total number of DM's of variable 2
DM n+14	Number of DM where variable 3 is located
DM n+15	Total number of DM's of variable 3
DM n+16	Number of DM where variable 4 is located
DM n+17	Total number of DM's of variable 4

#### 4.4.3.1. Set a message without variables.

When you want to set a message without variables, you should put the Message Number into a free place on the DM table, between positions DM n and DM n+5. If more than one message is set, the position into the table is used to control the order in which messages will be displayed.

#### 4.4.3.2. Reset a message without variables.

To reset messages without variables, you must set its position on the table to 0 or change the message number for the other message number. To display the message 15, the DM must be 15 in BCD

Examples:

DM parameter = 108	
DM 108	0
DM 109	0
DM110	15
DM 111	0
DM 112	0
DM 113	0

DM parameter = 2145	
DN 2145	4
DM 2146	0
DM 2147	0
DM 2148	156
DM 2149	0
DM 2150	0

DM parameter = 1	
DM 1	2
DM 2	6
DM 3	0
DM 4	0
DM 5	0
DM 6	24

Message 15 ON

Meessages 4 and 156 ON

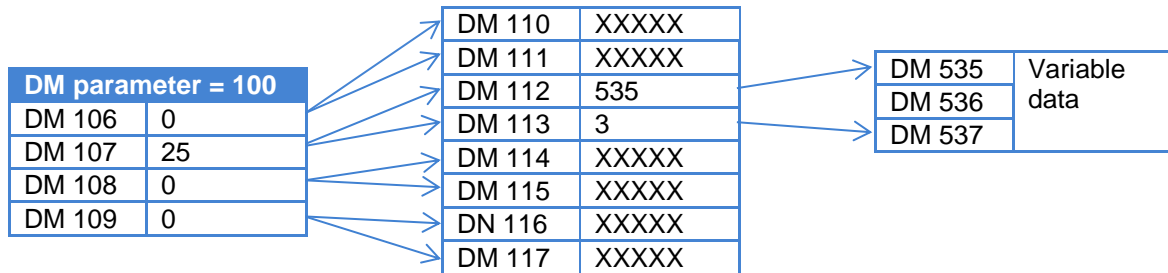
Messages 2, 6 and 24 ON

**4.4.3.3. Set a message with variables.**

When you want to set a message with variables, you should put the Message Number into a free place on the DM table, between positions DM n+6 and DM n+9. If more than one message is set, the position into the table is used to control the order in which messages will be displayed.

Using Messages with variables, besides the message number, you must program the position where the variable will be found inside the PLC. Programm the position and the DM number from DM n+10 to DM n+17. Every one of the four messages with variables has 2 DM's for variable data. These 2 DM's work as indirect addressing, first DM has the address where the data is located while the second DM has the number of DM used.

Example.



The DM associated value must be in BCD.  
 DM107 = 25 Set message 25.  
 DM107 Address of Variable Data in DM112 and DM113.  
 DM112 = 535 => Variable data in DM535  
 DM113 = 3 => 3 DM used. DM535, DM536 and DM537.  
 DM535 to DM537 = Variable data. ( See 4.4.3.6 Data variables.)

**4.4.3.4. Reset a message with variables.**

To reset a message with variables, you must set its position on the table to 0 or change the message number for the other message number.

**4.4.3.5. Reset all messages .**

To reset all messages, you must set all positions from DM n to DM n+9 to 0.

**4.4.3.6. Data variables.**

The data variables must be placed into groups of consecutive VM's for each message. You may use only one group of VM's for all messages or use a different group of VM's for each message.

The variable data block structure is:

First DM		Second DM	.....	Last DM
Position of variable	Number of characters	4 characters variable	4 characters variable	4 characters variable

The position of each character variable in the message is defined at edition time. Position 1 corresponds to the variable character furthest to the left in line 1. Line 1 is the top line in displays of more than one line.



Line	Position in decimal	Position in hexadecimal
1	1-16	1h-10h
2	17-32	11h-20h
3	33-48	21h-30h
4	49-64	31h-40h
5	65-80	41h-50h
6	81-96	51h-60h
7	97-112	61h-70h
8	113-128	71h-80h

A variable position is independent of used variables, this means that although no variable is used in line 2, the first variable in line 3 is in position 33.

**The variable position must be in hexadecimal code.**

Example:

Edited message 34 on a 3-line display:

Line 1: CODE: [v][v][v][v] P=[v][v][v] T=[v][v][v]

Line 2: RESULT: [v][v][v][v] M= [v][v]%

Line 3: TOTAL : [v][v][v][v][v][v][v]

Program next values:

Line 1: CODE:3578 P=632 T=890

Line 2: RESULT: 5332 M= 89%

Line 3: TOTAL: 12345678

Option 1: Modify all the values line to line.

DM425	DM426	DM427	DM428	DM429	DM430	DM431	DM432	DM433	DM434
0110	3578	6328	90XX	1106	5332	89XX	2108	1234	5678

DM425 Modifies line 1. DM429 Modifies line 2. DM432 Modifies line 3.

**Option 2:** Modify the values of each variable.

DM110	DM111	DM112	DM113	DM114	DM115	DM116	DM117	DM118	DM119
0104	3578	0503	632X	0803	890X	1104	5332	1502	89XX
DM120	DM121	DM122							
2108	1234	5678							

In DM's 110, 112, 114, 116, 118, and 120 there are the position and character numbers

In DM's 111,113,115,117,119,121 and 123 there are the values.

**Notes:**

No more than 30 DM can be read at the same time.

No more than 99 characters can be modified at the same time.

#### 4.4.4. ASCII protocol.

The ASCII protocol is an easy protocol to connect between the display and any kind of equipment with a serial line, like a PC. This protocol also allows displays to be connected in a network by means of an RS-485 interface.

In this protocol, the display works as a slave. It waits to receive a transmission block and if it is correct, acknowledges the block and displays data.

Transmission block

	Start	Address high	Address low	Code	Data	End
<b>ASCII</b>	@	0 to 9	0 to 9	E D	A.....Z	* CR
<b>Hexa</b>	40h	30h to 39h	30h to 39h	45h 44h	41h.....5Ah	2Ah 0Dh

**Start:** 1 Byte. Always 40h

**Address:** 2 Bytes. Display address. Valid range 0 to 99 in ASCII format. All messages sent with address 0 are accepted for all displays in the network but none responses.

**Code:** 2 Bytes. Always ED (45 44 h)

**Data:** From 1 to 160 Bytes. Message sent to display. The first character is placed furthest to the left on display.

Special characters:

0Ah = New line. Valid in more than one-line displays.

08h = Start of flashing characters.

09h = End of flashing characters.

00h 15h = Display date in format dd/mm/yy.

00h 16h = Display time in format hh:mm.

00h 18h = Display time in format hh:mm:ss

00h 1Ch = Set date and time. Format ddmmyy hhmm.

00h 22h = Brightness adjust. To adjust the display brightness. Valid range is from 1 to 8 in ASCII code.

Example: 00h 22h 38h Adjust to highest brightness.

ONLY WITH HUMIDITY AND TEMPERATURE OPTION

00h 1Eh displaying temperature in Celsius. It needs 6 characters.

00h 1Fh displaying temperature in Fahrenheit. It needs 6 characters.

00h 21h displaying relative humidity. It needs 2 characters.

**End:** 2 bytes. Always \* CR (2Ah 0Dh).

##### 4.4.4.1. Response block.

The display sends a response block if the address of received block is greater than 0 and equal to the display address.

	Start	Address high	Address low	Code	Response code	End
<b>ASCII</b>	@	0 to 9	0 to 9	E D	0	* CR
<b>Hexa</b>	40h	30h to 39h	30h to 39h	45h 44h	30h	2Ah 0Dh

Example 1:

Display the message: «LOW LEVEL» in address display 4

	Start	Address high	Address low	Code	Data	End
<b>ASCII</b>	@	0	4	E D	LOW LEVEL	* CR
<b>Hexa</b>	40h	30h	34h	45h 44h	4Ch 4Fh 57h 20h 4Ch 45h 56h 45h 4Ch	2Ah 0Dh

Example 2:

Display the message: « TIME: 09:50». 09:50 is the display time

Display address: 12

	Start	Address high	Address low	Code	Data	End
<b>ASCII</b>	@	1	2	E D	TIME: 16h	* CR
<b>Hexa</b>	40h	31h	32h	45h 44h	54h 49h 4Dh 45h 3Ah 20h 16h	2Ah 0Dh

#### 4.4.5. S7-200 protocol.

S7-200 protocol is the protocol designed to connect with Siemens PLS's S7-200 series using PPI port.

S7-200 protocol supports two kinds of messages. Messages with and without variables. With this protocol the display may control as many as 6 messages without variables and 4 messages with variables together. All messages are shown sequentially.

To know what the messages should be shown, the display reads a table of 18 VW's from the PLC memory. The first VW number must be configured into the parameter VW. This parameter is specific to this protocol.

The slave number is also a specific parameter for this protocol. It is used to code the PLC address into the PPI network. By default S7-200 is assigned to address 2.

The next table shows the meaning of each VW

VW Number	
VW n	Number of message without variables 1
VW n + 2	Number of message without variables 2
VW n + 4	Number of message without variables 3
VW n + 6	Number of message without variables 4
VW n + 8	Number of message without variables 5
VW n + 10	Number of message without variables 6
VW n + 12	Number of message with variables 1
VW n + 14	Number of message with variables 2
VW n + 16	Number of message with variables 3
VW n + 18	Number of message with variables 4
VW n + 20	Number of VW where variable 1 is located
VW n + 22	Total number of VW's of variable 1
VW n + 24	Number of VW where variable 2 is located
VW n + 26	Total number of VW's of variable 2
VW n + 28	Number of VW where variable 3 is located
VW n + 30	Total number of VW's of variable 3
VW n + 32	Number of VW where variable 4 is located
VW n + 34	Total number of VW's of variable 4

#### 4.4.5.1. Set a message without variables.

When you want to set a message without variables, you should put the Message Number into a free place on the VM table, between positions VM n and VM n+5. If more than one message is set, the position into the table is used to control the order in which messages will be displayed.

#### 4.4.5.2. Reset a message without variables.

To reset messages without variables, you must set its position on the table to 0 or change the message number for the other message number

Examples:

VM parameter = 108	
VM 108	0
VM 110	0
VM112	15
VM 114	0
VM 116	0
VM 118	0

Message 15 ON

VM parameter = 2145	
VM 2145	4
VM 2147	0
VM 2149	0
VM 2151	156
VM 2153	0
VM 2155	0

Messages 4 and 156 ON

VM parameter = 0	
VM 0	2
VM 2	6
VM 4	0
VM 6	0
VM 8	0
VM 10	24

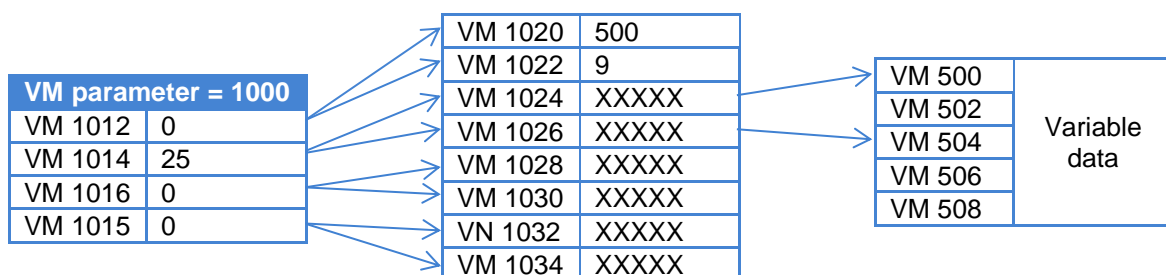
Messages 2, 6 and 24 ON

#### 4.4.5.3. Set a message with variables.

When you want to set a message with variables, you should put the Message Number into a free place on the DM table, between positions VM n+6 and VM n+9. If more than one message is set, the position into the table is used to control the order in which messages will be displayed.

Using Messages with variables, besides the message number, you must program the position where the variable will be found inside the PLC. Programm the position and the VM number from VM n+20 to VM n+34. Every one of the four messages with variables has 2 VM's for variable data. These 2 VM's work as indirect addressing, first VM has the address where the data is located while the second VM has the number of VM used.

Example.



VM 1012 = 25 Set message 25.

VM 1025 = The variable data are located at VM 500.

VW 1026 = 9 9 VB's from VW 500 to VB 508. Use VW or VB not significant, but remember that a VW occupies two VB's.

VW 500 a VW 506 = Variable data. ( See 4.4.5.6 "Data variables.")

#### 4.4.5.4. Reset a message with variables.

To reset a message with variables, you must set its position on the table to 0 or change the message number for another message number.

#### 4.4.5.5. Reset all messages .

To reset all messages, you must set all positions from VW n to VW n+9 to 0.

#### 4.4.5.6. Data variables.

The data variables must be placed into groups of consecutive VM's for each message. You may use only one group of VM's for all messages or use a different group of VM's for each message.

The variable data block structure is:

First VM		Second VM	.....	Last VM
Position of variable	Number of characters	2 ASCII characters variables	2 ASCII characters variable	2 ASCII characters variable

The position of each character variable in the message is defined at edition time. Position 1 corresponds to the variable character furthest to the left in line 1. Line 1 is the top line in displays of more than one line.

Line	Position in decimal	Position in hexadecimal
1	1-16	1h-10h
2	17-32	11h-20h
3	33-48	21h-30h
4	49-64	31h-40h
5	65-80	41h-50h
6	81-96	51h-60h
7	97-112	61h-70h
8	113-128	71h-80h

A variable position is independent of used variables, this means that although no variable is used in line 2, the first variable in line 3 is in position 33.

**The variable position must be in hexadecimal code.**

#### 4.4.5.7. Examples S7-200

**IMPORTANT: To store the messages in the display you should use TDL software. See 4.2 “Message programming”.**

**Example of message without variables.**

Messages 12 and 53 must be stored in the display. Use these texts as examples.:

Message 12: OIL PUMP

Message 53: TANK 2 FULL

The PLC program will be as follows.

```
//  
//EXAMPLE PROGRAM FOR MESSAGES WITHOUT VARIABLES  
//  
// The display parameter VW must be equal to 1000.  
// Input I0.0 ON, sets message 12.  
// Input I0.1 ON, sets message 53.  
// Input I0.2 ON, resets messages 12 and 53.  
  
NETWORK 1 //Set message 12  
// If input I0.0 is ON a value of 12 is stored in VW1000.  
LD I0.0  
MOVW +12, VW1000  
  
NETWORK 2 //Set message 53  
// If input I0.1 is ON a value of 53 is stored in VW1002.  
LD I0.1  
MOVW +53, VW1002  
NETWORK 3 // Reset messages 12 and 53  
// If input I0.2 is ON a value of 0 is stored in VW1000 and VW1002  
LD I0.2  
MOVW +0, VW1000  
MOVW +0, VW1002
```

Prior to establishing the transmission between the PLC and display, don't forget to set the display parameters. To set the display and PLC address in the PPI network see 4.3 “Set parameters.”.

**Message with variable example.**

The values of two counters are displayed in a message.

The PLC program will be as follows.

```
// The display parameter VW must be equal to 1000.
// Message 25 is used.
//The text message is: LONG=[V][V][V][V] SHORT=[V][V][V]
// Input I0.0 ON resets the message 25
// Input I0.1 ON sets the message 25
// Input I0.2 ON increments LONG counter
// Input I0.3 ON increments SHORT counter
// Input I0.4 ON resets both counters.

NETWORK 1 //Resets message 25
LD I0.0
MOVW +0, VW1012

NETWORK 2 //Sets message 25
LD I0.1
MOVW +25, VW1012 // Set message 25
MOVW +500, VW1020 // Variable data into VW500 register
MOVW +9, VW1022 // 9 VB registers VB
MOVB 1, VB500 // Put variable data from position 1
MOVB 16#07, VB501 // Data are 7 characters long.
MOVW VW528, VW502 // LONG data value
MOVW VW530, VW504 // LONG data value
MOVW VW549, VW506 // SHORT data value
MOVB VB551, VB508 // SHORT data value

NETWORK 3 // Increment counter LONG
LD I0.2
A SM0.5
EU
INCD VD400
DTA VD400, VB520, 16#00 // ASCII Conversion

NETWORK 4 // Increment counter SHORT
LD I0.3
A SM0.5
EU
INCD VD410
DTA VD410, VB540, 16#00 // ASCII Conversion

NETWORK 5 // Reset counters
LD I0.4
MOVD +0, VD400
MOVD +0, VD410
```





## **STATEMENT OF CONFORMITY**



DISEÑOS Y TECNOLOGIA, S.A.  
Poligon Industrial Les Guixeres  
C/ Xarol 8C  
08915 BADALONA Spain.

As the builder of the equipment of the **DITEL** brand:

Model : DT-203X in all versions.

Model : DT-105X in all versions.

Model : DT-110X in all versions.

We declare under our sole responsibility that the aforementioned product complies with the following European directives:

Directive: LVD 2006/95/CEE Low Voltage Directive.

Standard UNE-EN61010-1 Security in electric equipment.

Directive: EMC 2014/30 UE Electromagnetic Compatibility

Standard UNE-EN 61000-6-4 Generic Emission Standard. Industrial environment.

Standard UNE-EN 61000-6-2 Generic Immunity Standard. Industrial environment.

Directive 2011/65/CE: Restriction of the use of certain hazardous substances in electrical and electronic equipment

Badalona, February 13<sup>th</sup>, 2017

A handwritten signature in black ink, appearing to read 'Alicia Alarcia', is positioned above the printed name.

Alicia Alarcia.  
Technical director.